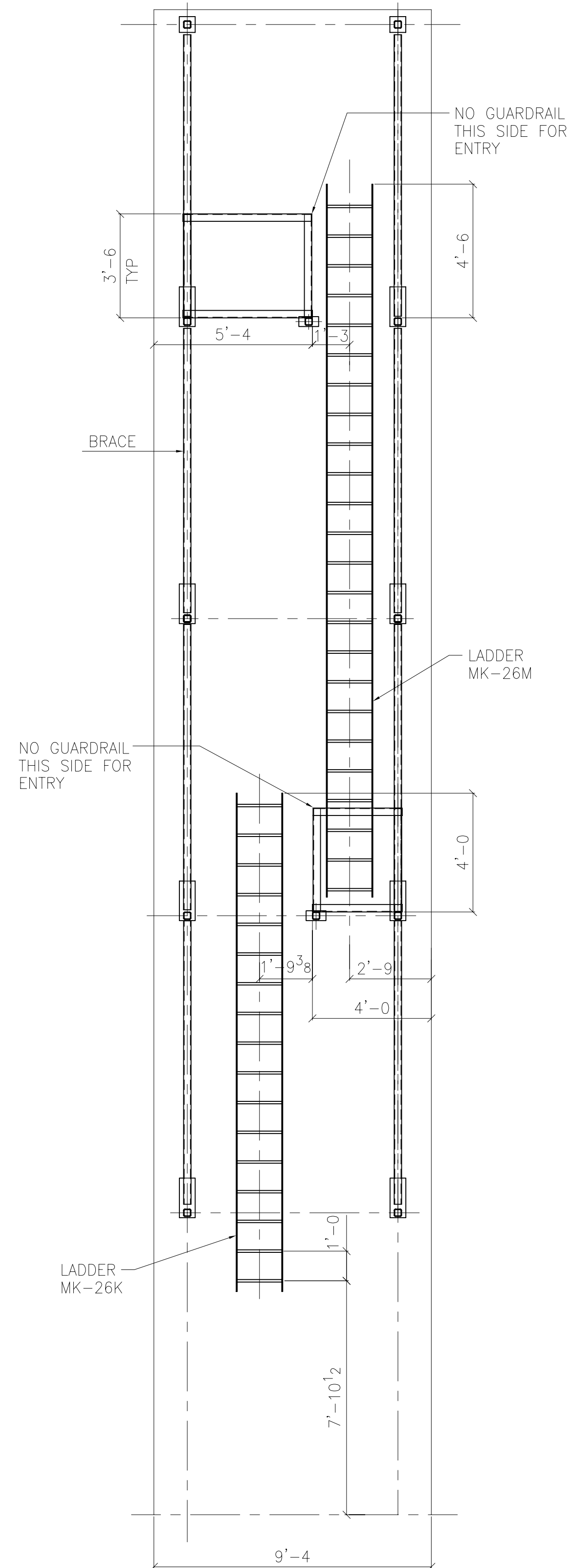
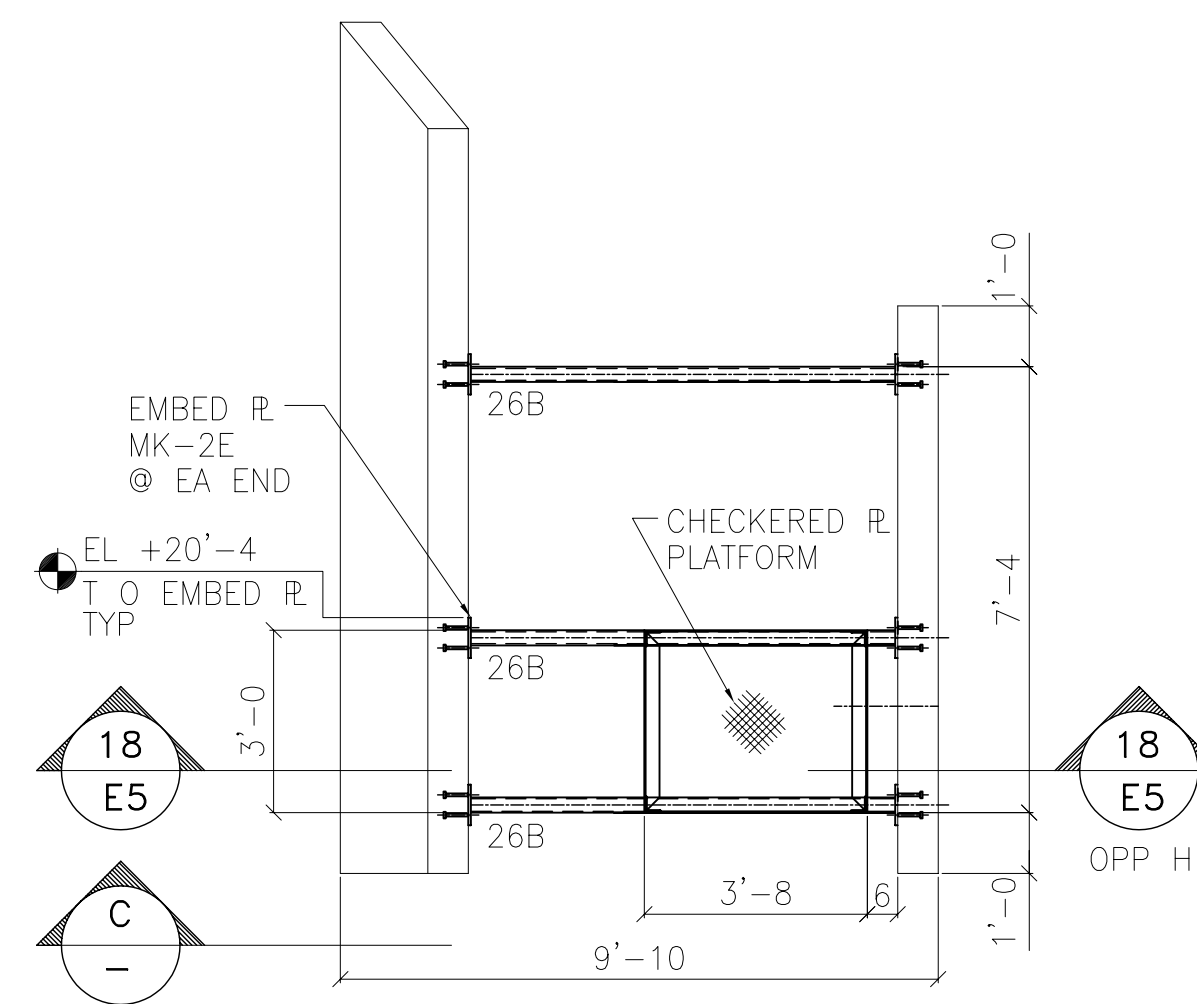


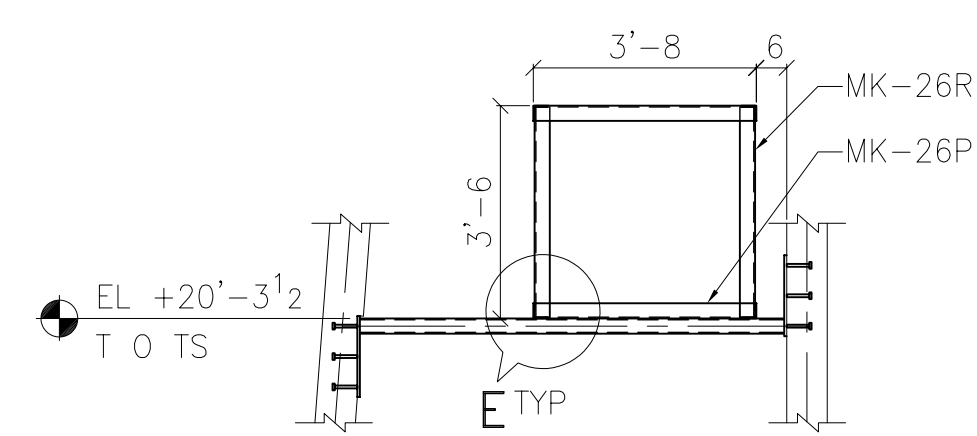
BELL TOWER ELEVATION



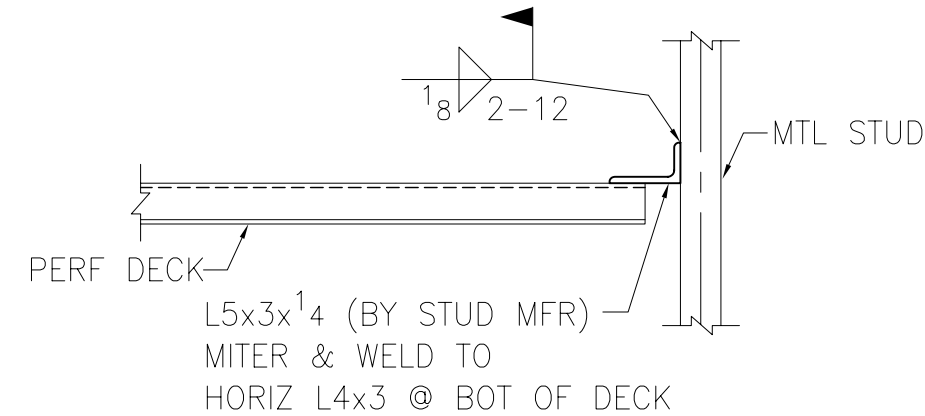
SECTION F-F
(REF: 4/A104)



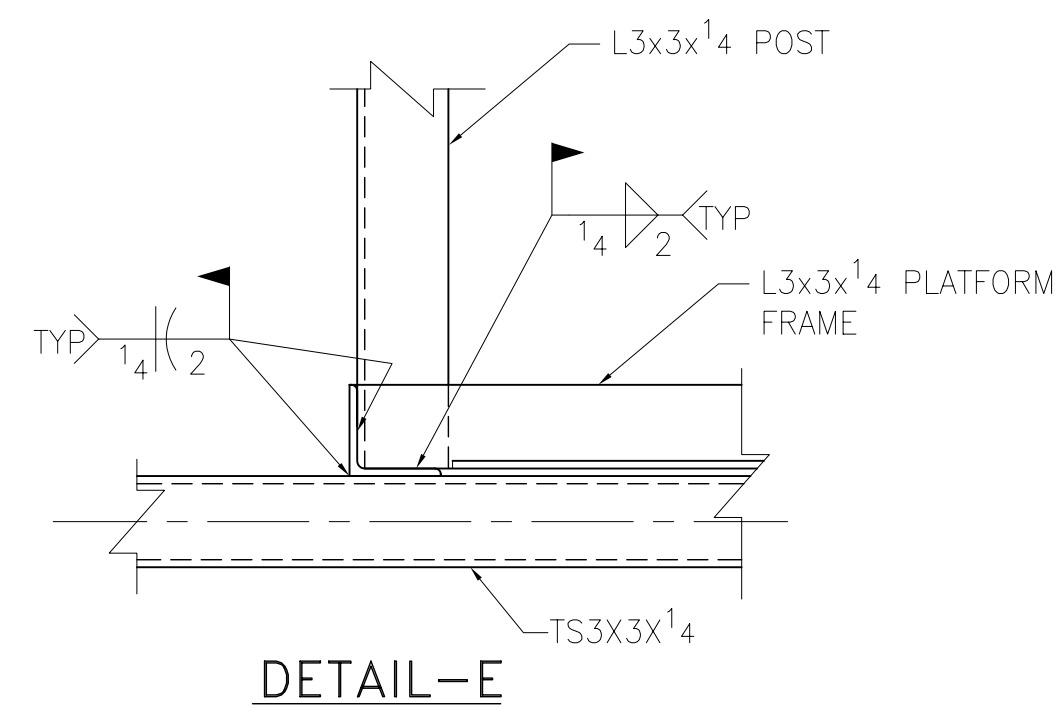
SECTION A-A
(PLATFORM @ 20'-3 1/2)



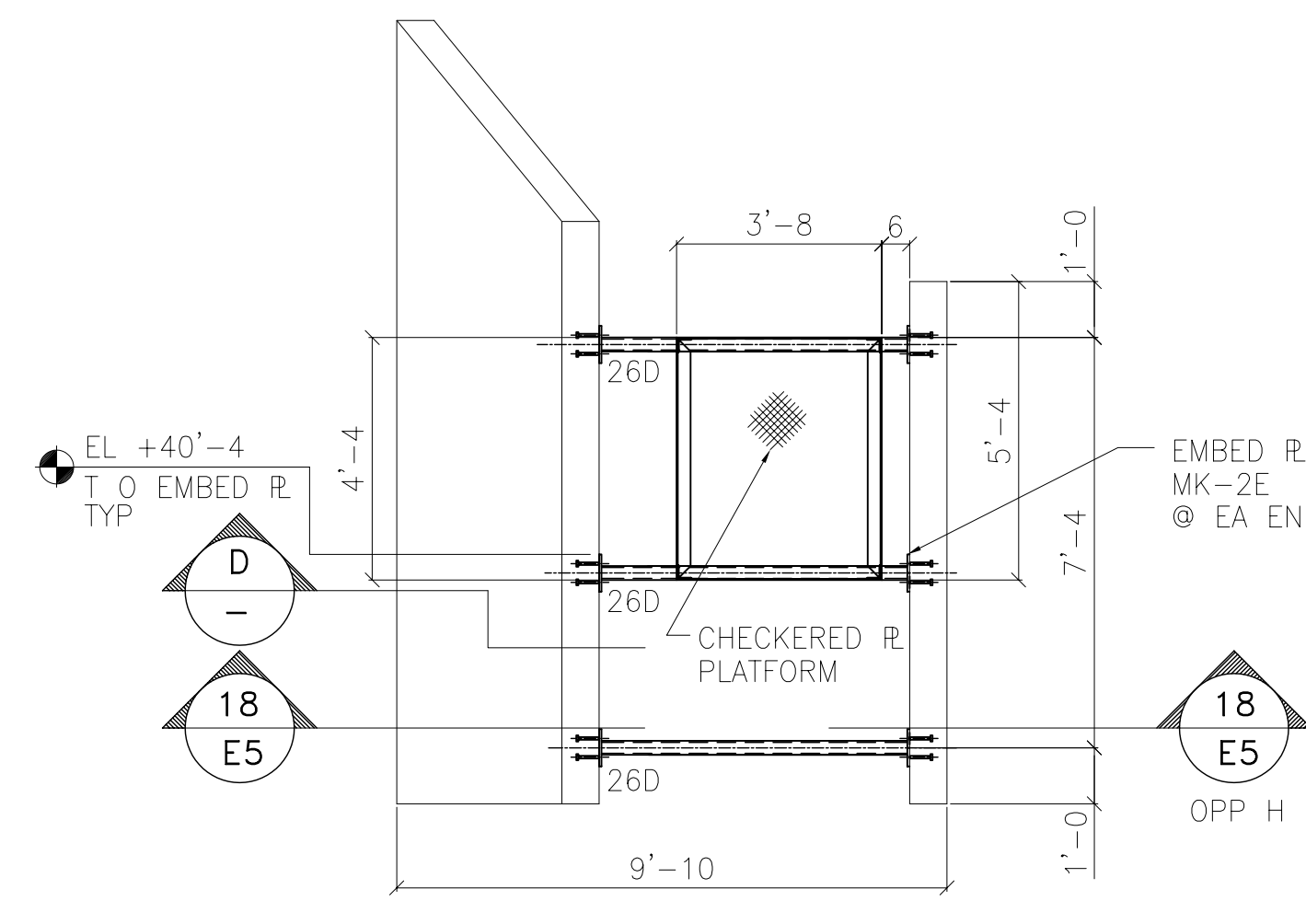
SECTION C-C



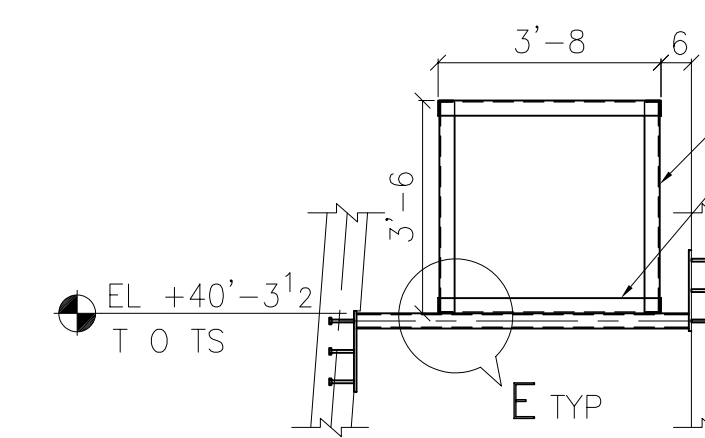
SECTION-84
(REF: 18/605)



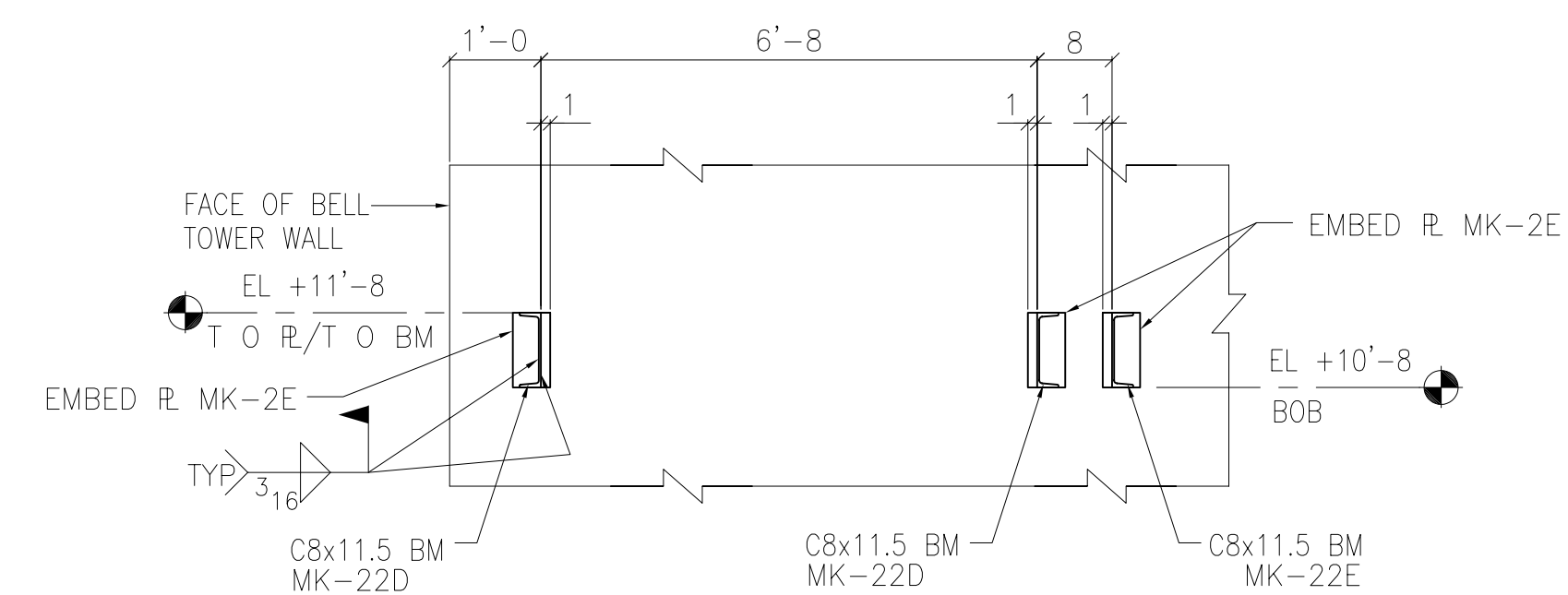
DETAIL-E



SECTION B-B
(PLATFORM @ 40'-3 1/2)



SECTION D-D



SECTION-85

NOTES:-

- 1) REFERENCE DRGS A104 & E3

DATE	NO.	REVISION/DESCRIPTION
<p>THESE DRAWINGS ARE TO THE BEST INTERPRETATION OF THE CONTRACT DRAWINGS, THEREFORE ANY ERRORS ON THE ORIGINAL DRAWINGS ARE NOT THE FAULT OF THE DETAILER OR STEEL FABRICATOR. IT IS THE RESPONSIBILITY OF THE APPROVER(S) TO VERIFY AND CORRECT ANY DIMENSIONS, MATERIALS, AND SECTION VIEWS. IF DIMENSIONS AND MATERIALS ARE NOT CORRECTED IN THE APPROVAL PROCESS, WE ASSUME THEY ARE CORRECT AND ACCURATE AND ARE NOT LIABLE FOR ANY EXPENSE FOR CORRECTIONS THEREAFTER.</p>		
PROJECT:		LUTHERAN CHURCH
LOCATION:		CENTER OF COMPASSION LUTHERAN CHURCH
TITLE:		SECTIONS
FOR APPROVAL DATE	FOR CONST. AS NOTED	FOR CONST. DATE 04-15-02
SHEET #		E13