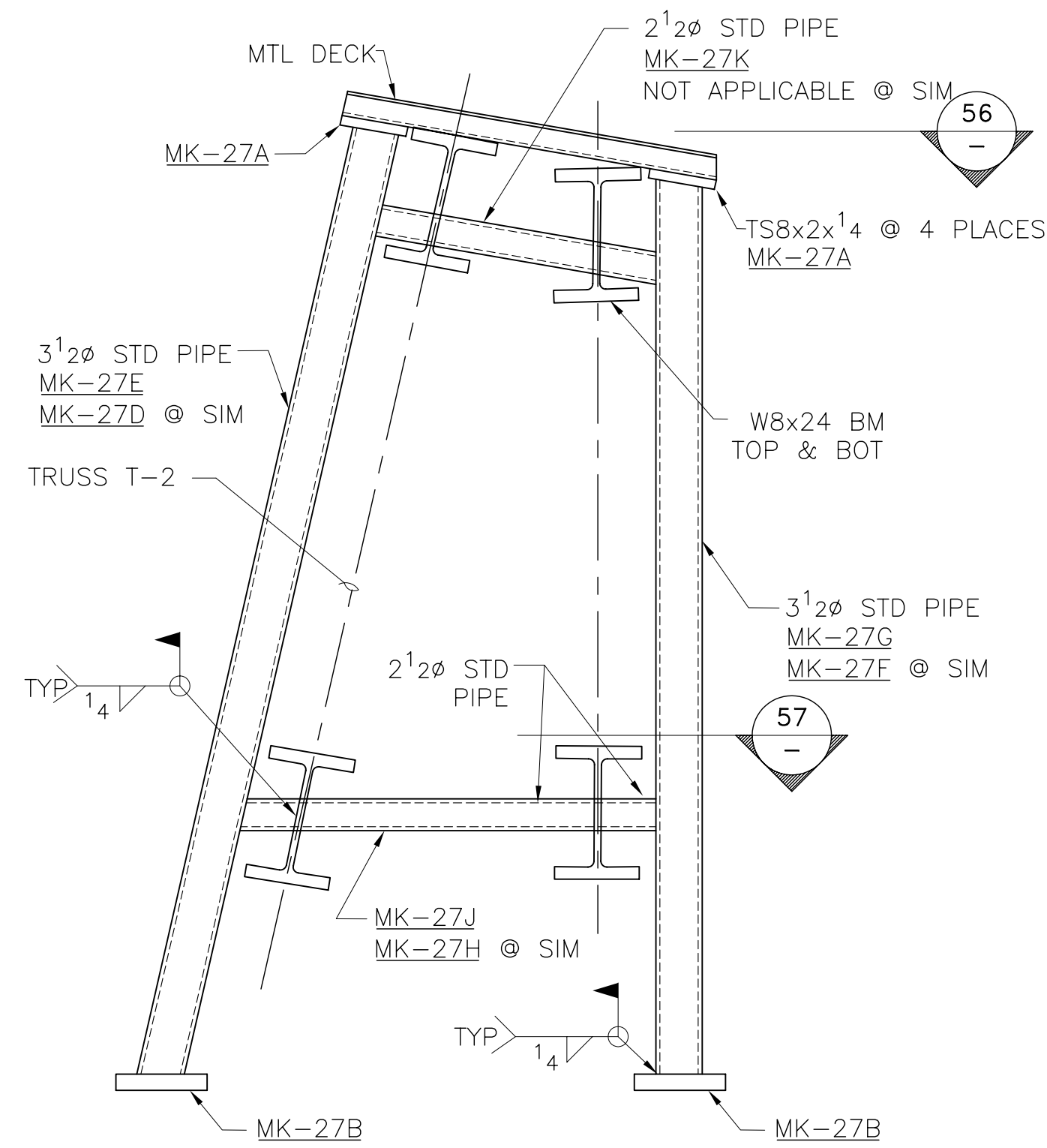
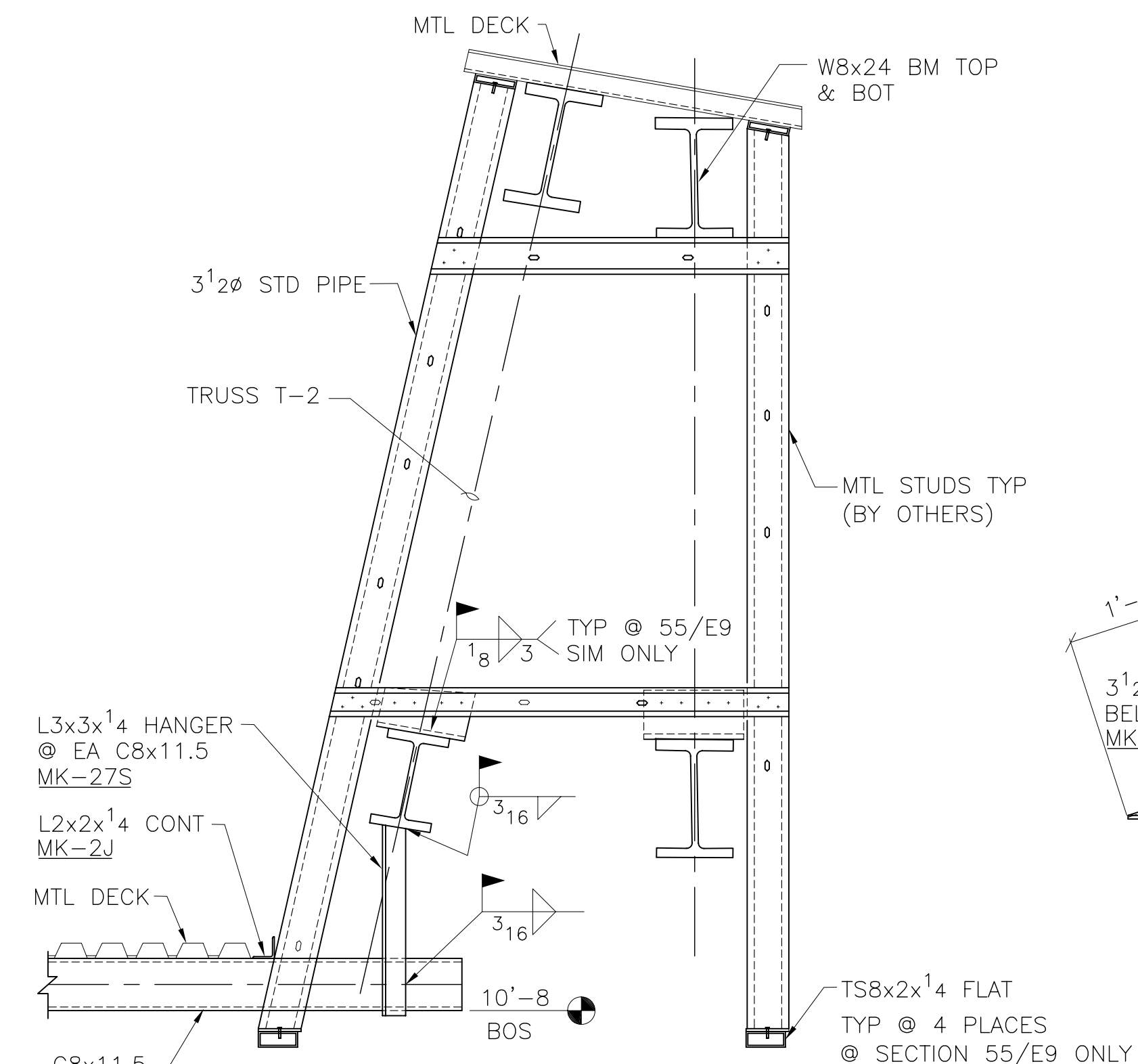


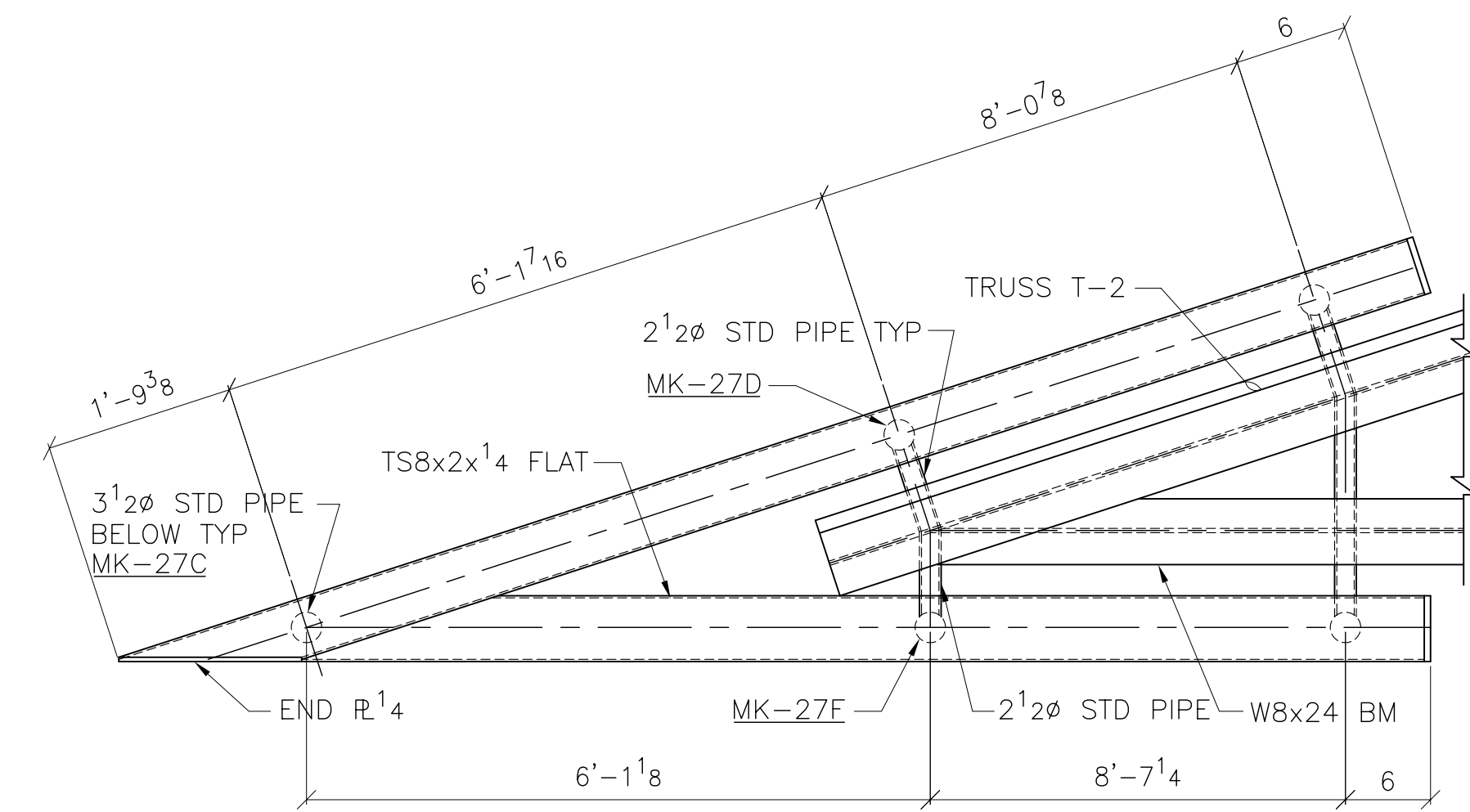
SECTION-53
(REF: 3/S603)



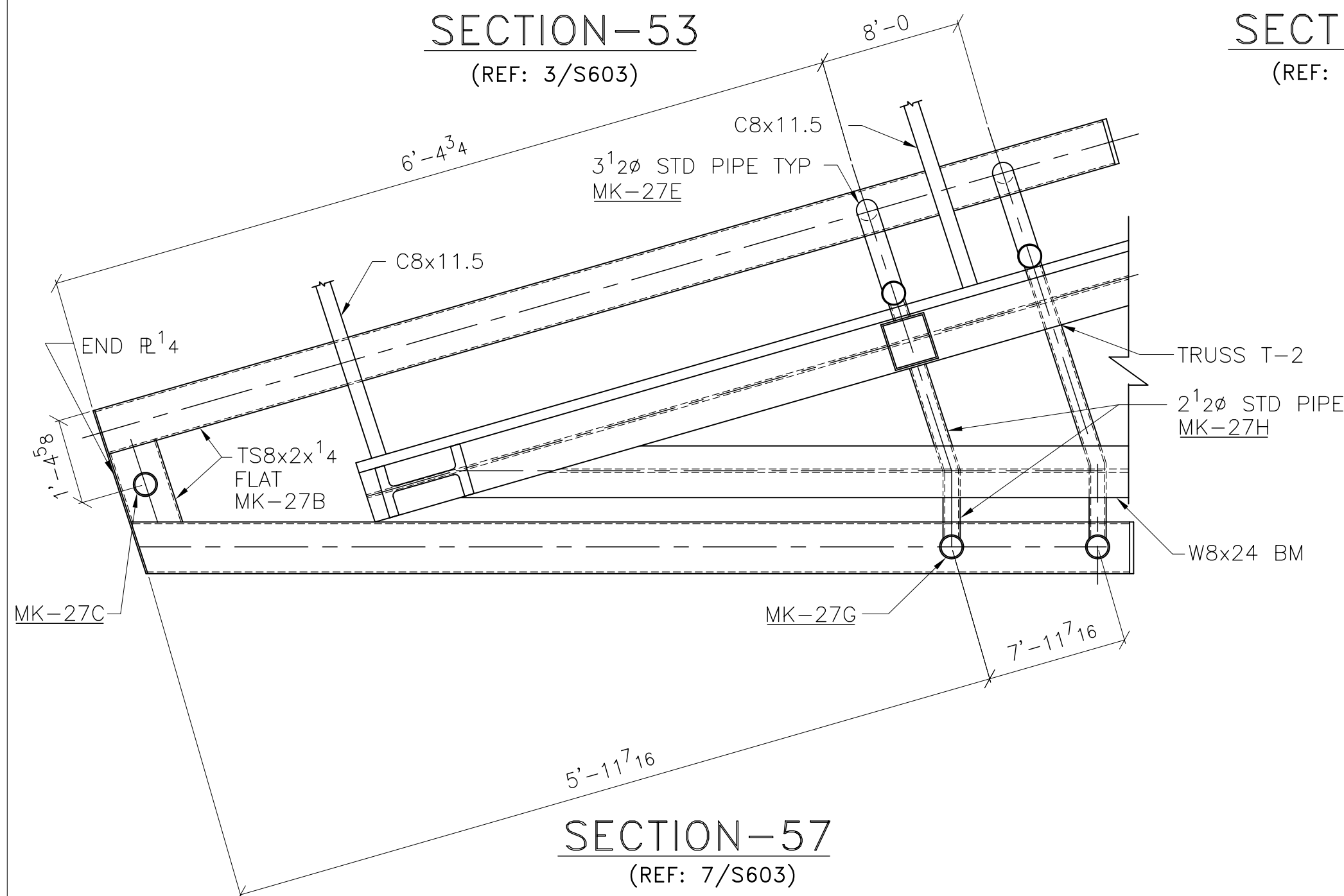
SECTION-54
(REF: 4/S603)



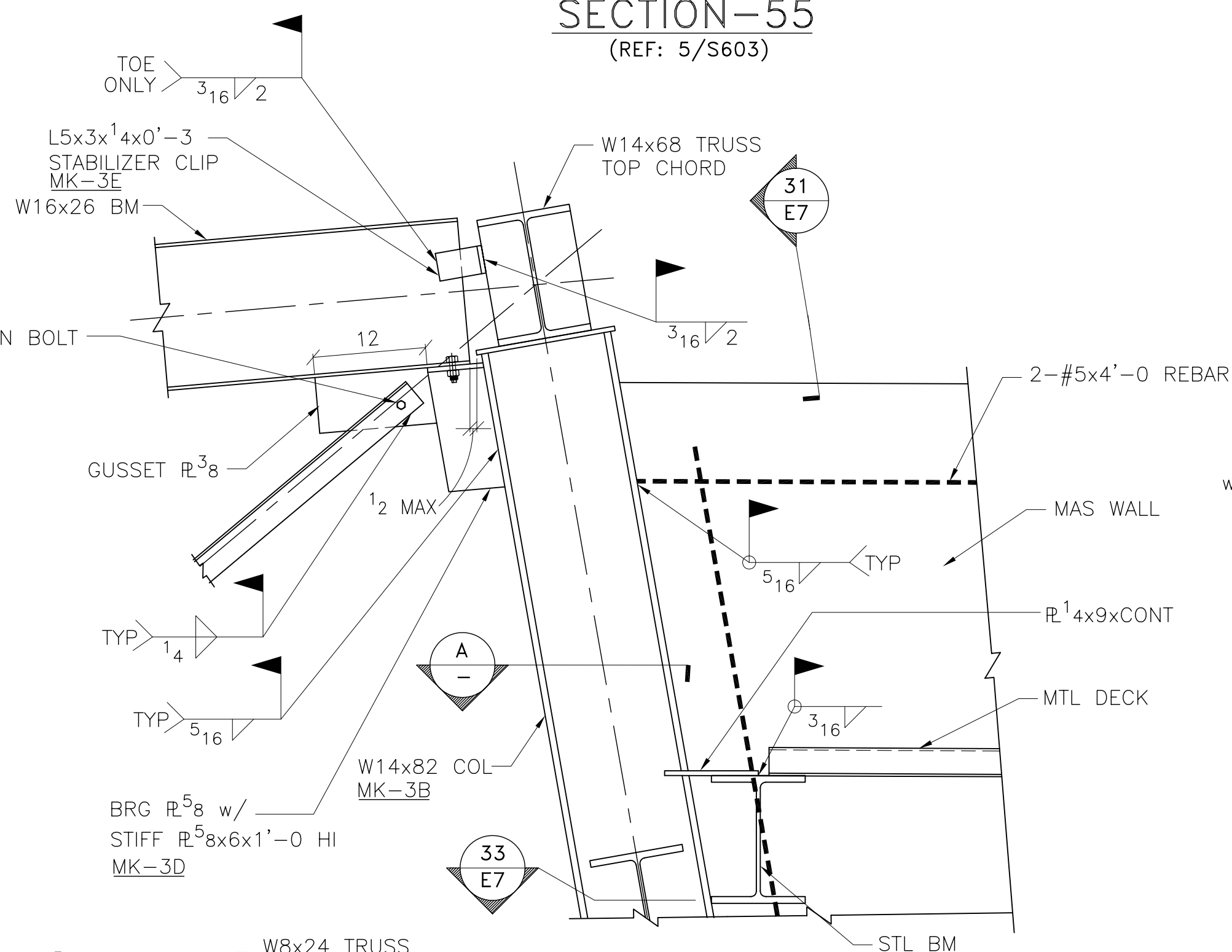
SECTION-55
(REF: 5/S603)



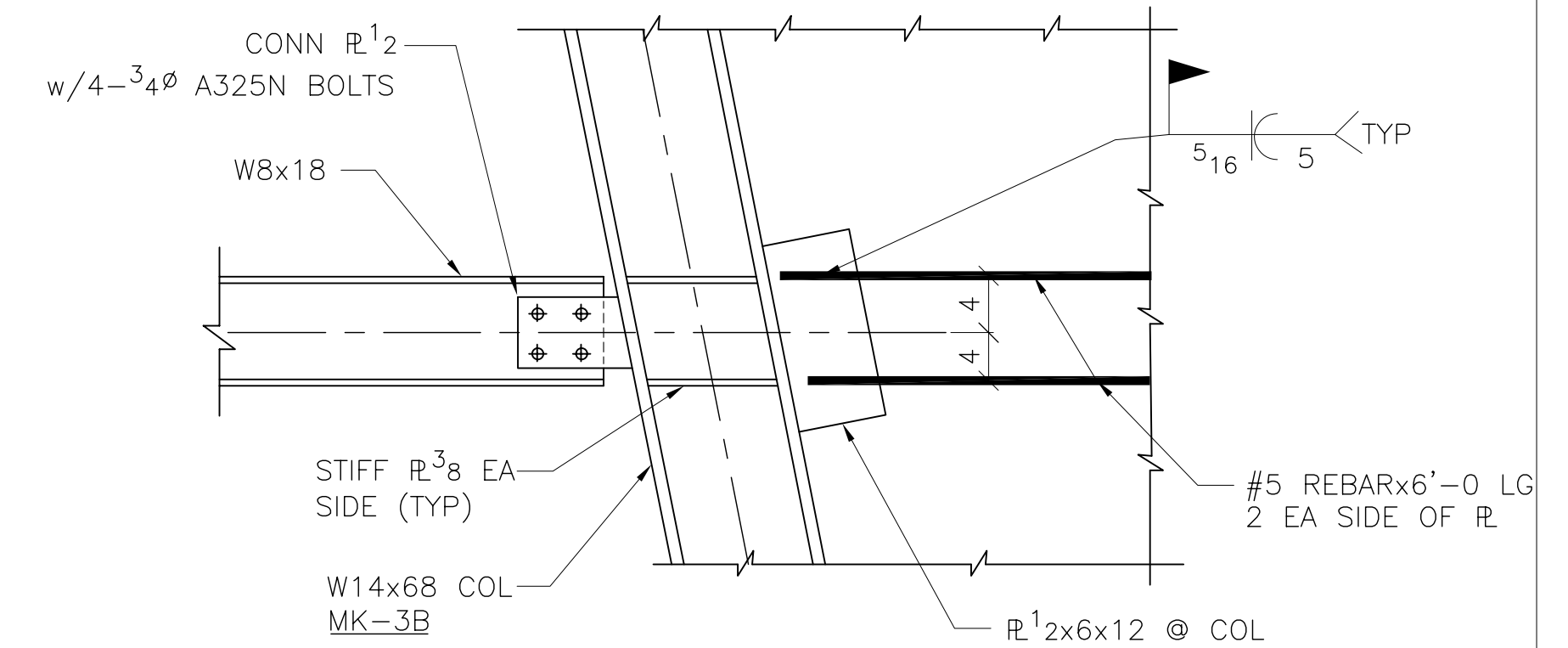
SECTION-56
(REF: 6/S603)



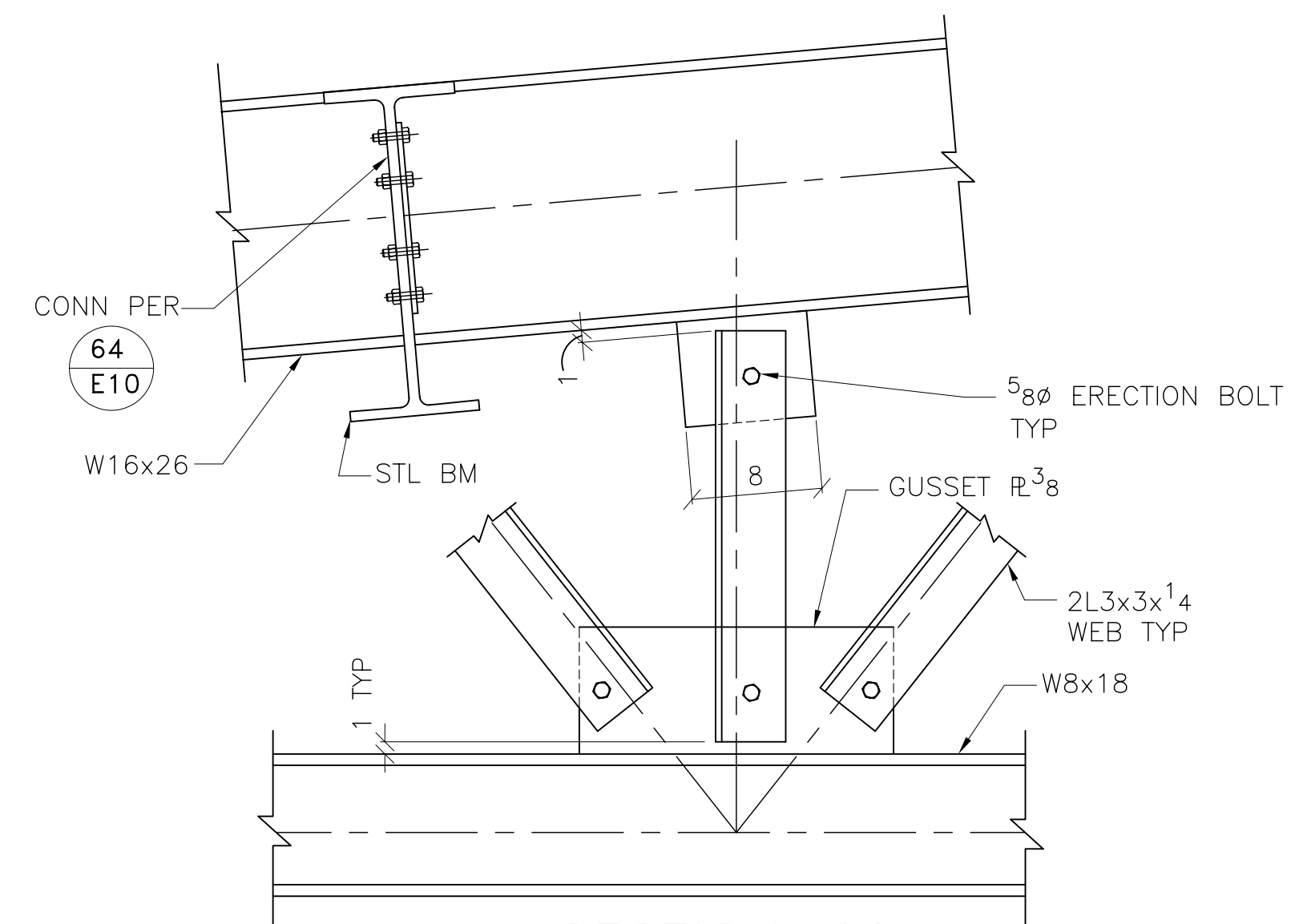
SECTION-57
(REF: 7/S603)



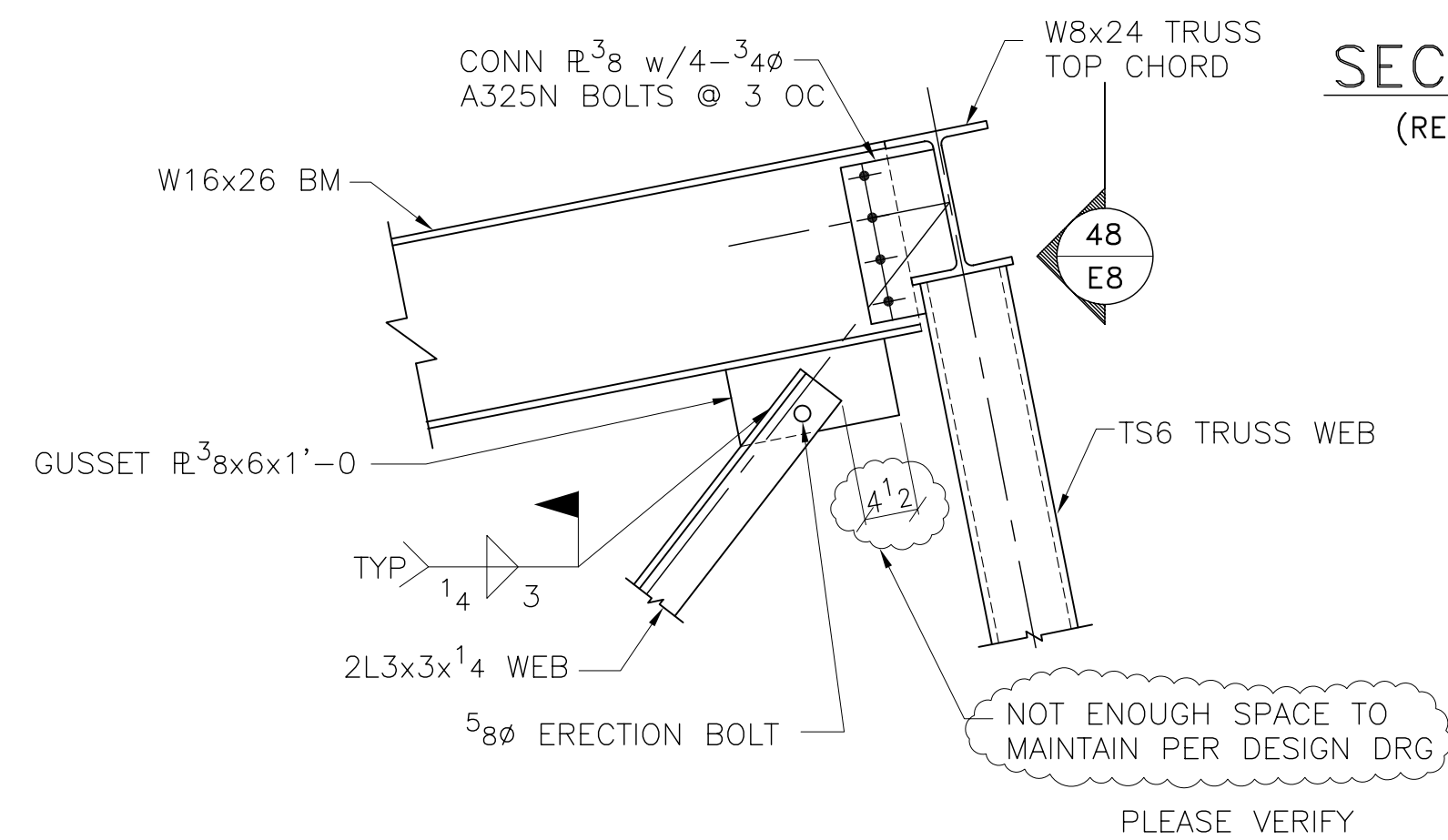
SECTION-58
(REF: 8/S603)



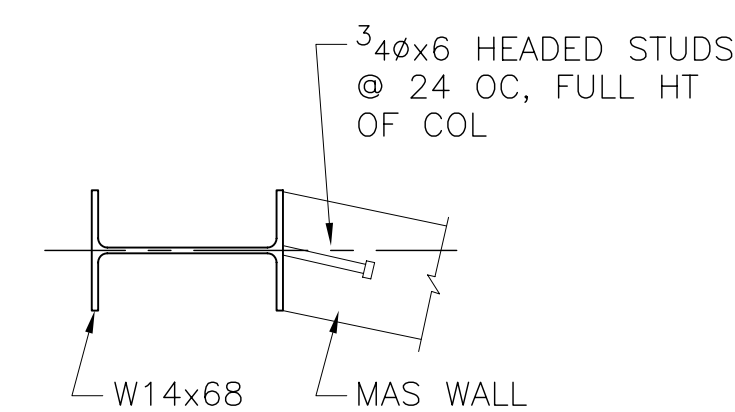
SECTION-59
(REF: 9/S603)



SECTION-60
(REF: 10/S603)



SECTION-61
(REF: 1/S604)



SECTION A

NOTES-

- 1) REFERENCE DRGS E1, E2 & E3

DATE	NO.	REVISION/DESCRIPTION	IC
04/15/02	1	GENERAL REVISION	IC
01/16/02	A	GENERAL REVISION	IC

THESE DRAWINGS ARE TO THE BEST INTERPRETATION OF THE CONTRACT DRAWINGS, THEREFORE ANY ERRORS ON THE ORIGINAL DRAWINGS ARE NOT THE FAULT OF THE DETAILER OR STEEL FABRICATOR. IT IS THE RESPONSIBILITY OF THE APPROVER(S) TO VERIFY AND CORRECT ANY DIMENSIONS, MATERIALS, AND SECTION VIEWS. IF DIMENSIONS AND MATERIALS ARE NOT CORRECTED IN THE APPROVAL PROCESS, WE ASSUME THEY ARE CORRECT AND ACCURATE AND ARE NOT LIABLE FOR ANY EXPENSE FOR CORRECTIONS THEREAFTER.

PROJECT: LUTHERAN CHURCH			
LOCATION: CENTER OF COMPASSION LUTHERAN CHURCH			
TITLE: SECTIONS			
FOR APPROVAL DATE 12-13-01	FOR CONST. AS NOTED 04-15-02	FOR CONST. DATE 04-15-02	SHEET # E9