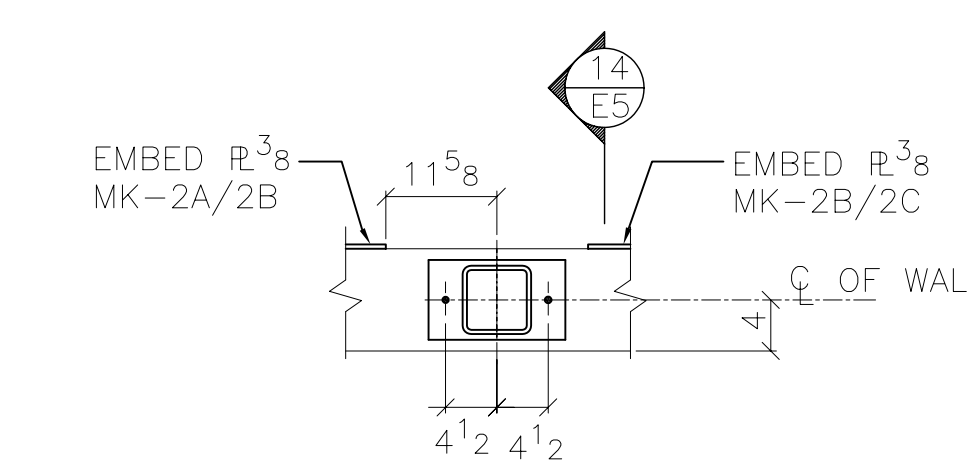
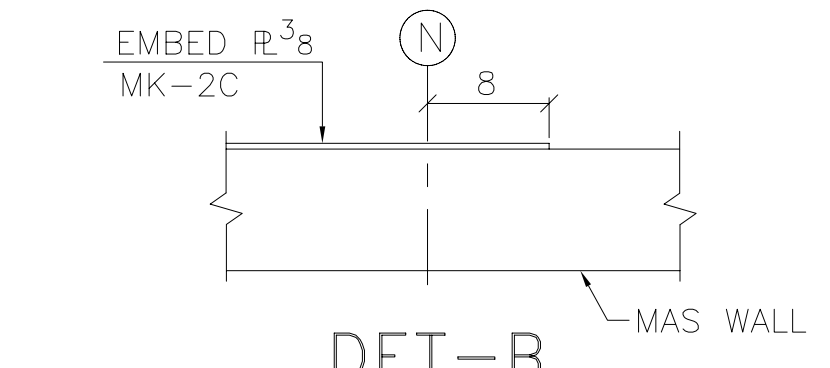


BELL TOWER
PLAN @ 40'-0"



DET-A



DET-B

- NOTES :-
- 1) REFERENCE DESIGN DRG NO. S300
 - 2) [] LEVELS GIVEN ARE @ TOP OF C OF BEARING R
 - 3) DIMENSIONS MARKED THUS "*" ARE @ C OF BEARING R MEASURED PARALLEL TO HORIZONTAL PLAN
 - 4) FF EL @ 0'-0"
 - 5) DISTANCES MARKED THUS "***" ARE @ INTERSECTION OF C OF MASONRY WALL & C @ TOS OF BEAM MEASURED PARALLEL TO HORIZONTAL PLAN
 - 6) FOR SECTIONS REF E3, E4 & E5

03/05/02	2	GENERAL REVISION	IC
02/27/02	1	PER APPROVAL	IC
DATE	NO	REVISION/DESCRIPTION	
THESE DRAWINGS ARE TO THE BEST INTERPRETATION OF THE CONTRACT DRAWINGS, THEREFORE ANY ERRORS ON THE ORIGINAL DRAWINGS ARE NOT THE FAULT OF THE DETAILER OR STEEL FABRICATOR. IT IS THE RESPONSIBILITY OF THE APPROVER(S) TO VERIFY AND CORRECT ANY DIMENSIONS, MATERIALS, AND SECTION VIEWS. IF DIMENSIONS AND MATERIALS ARE NOT CORRECTED IN THE APPROVAL PROCESS, WE ASSUME THEY ARE CORRECT AND ACCURATE AND ARE NOT LIABLE FOR ANY EXPENSE FOR CORRECTIONS THEREAFTER.			
PROJECT:		LUTHERAN CHURCH	
LOCATION:		CENTER OF COMPASSION LUTHERAN CHURCH	
TITLE:		EMBED PLAN	
FOR APPROVAL DATE 12-03-01	FOR CONST. AS NOTED	FOR CONST. DATE 02-27-02	SHEET # E1

EMBED PLAN