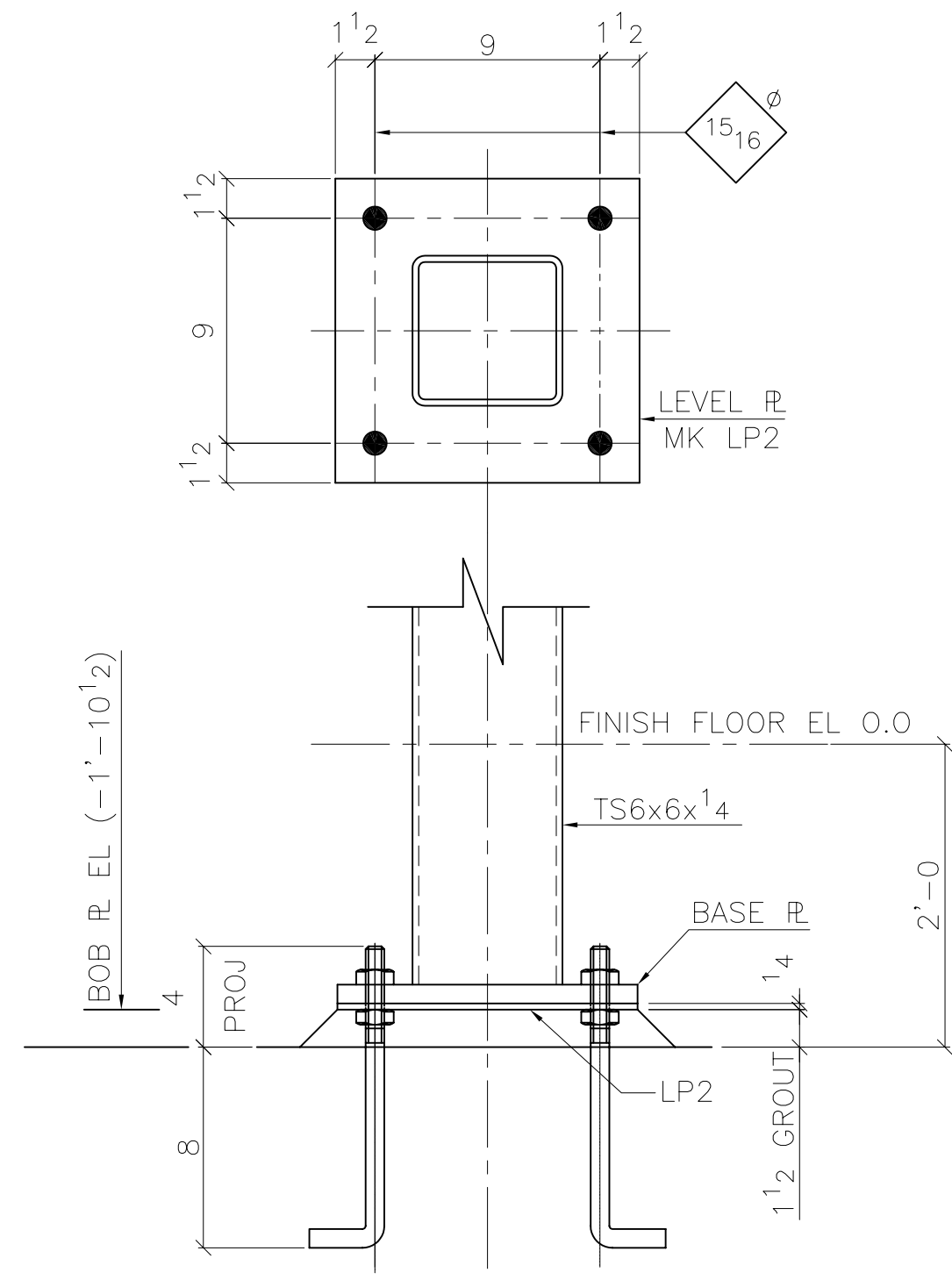


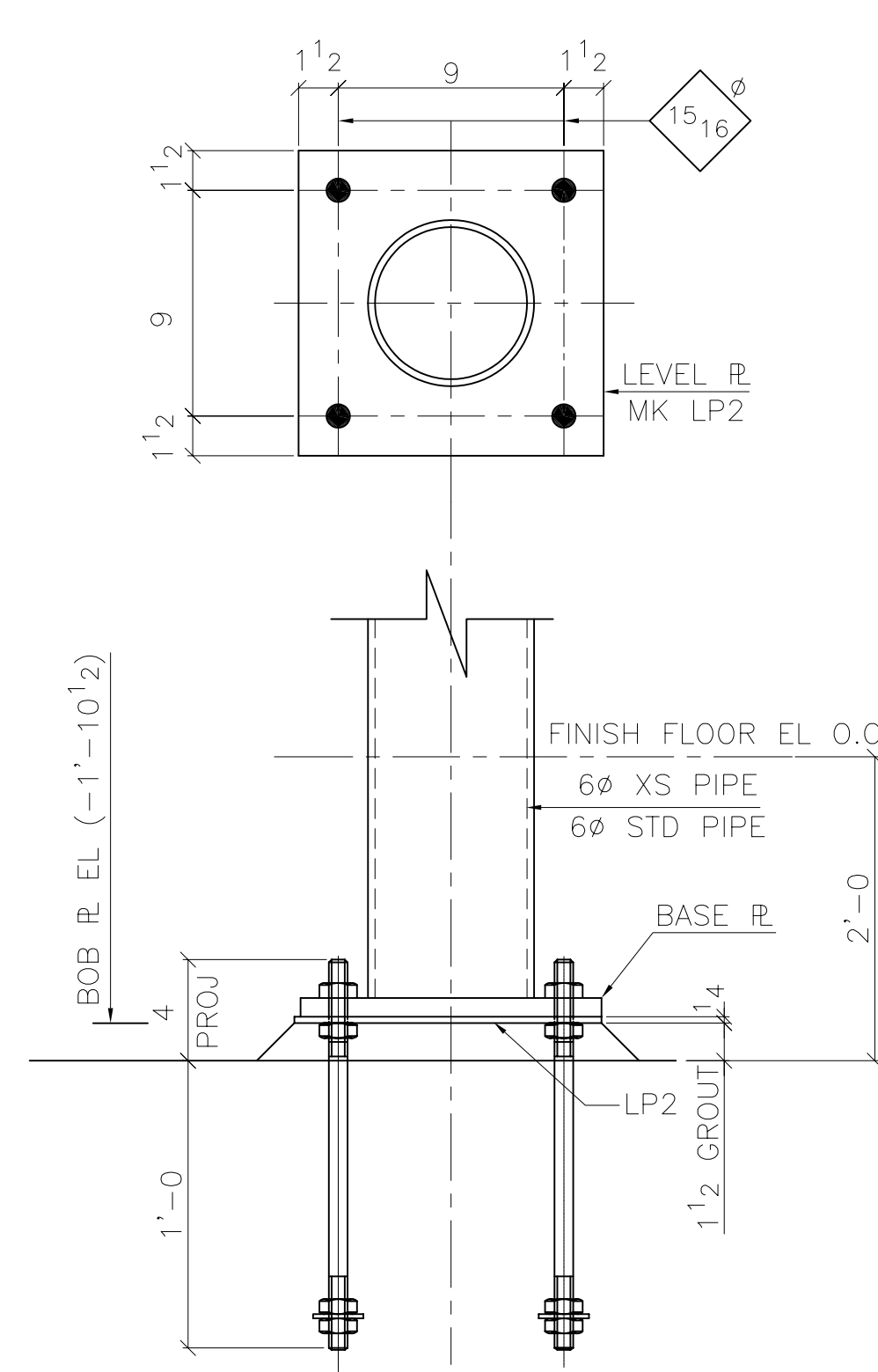
DETAIL-A (ONE LOC)

4-3/4x1'-3 LG ASTM A307 ANCHOR BOLTS
w/2-NUTS & WASHERS PER BOLT
MK AB1
LEVEL R¹4x9x0'-9 MK LP1



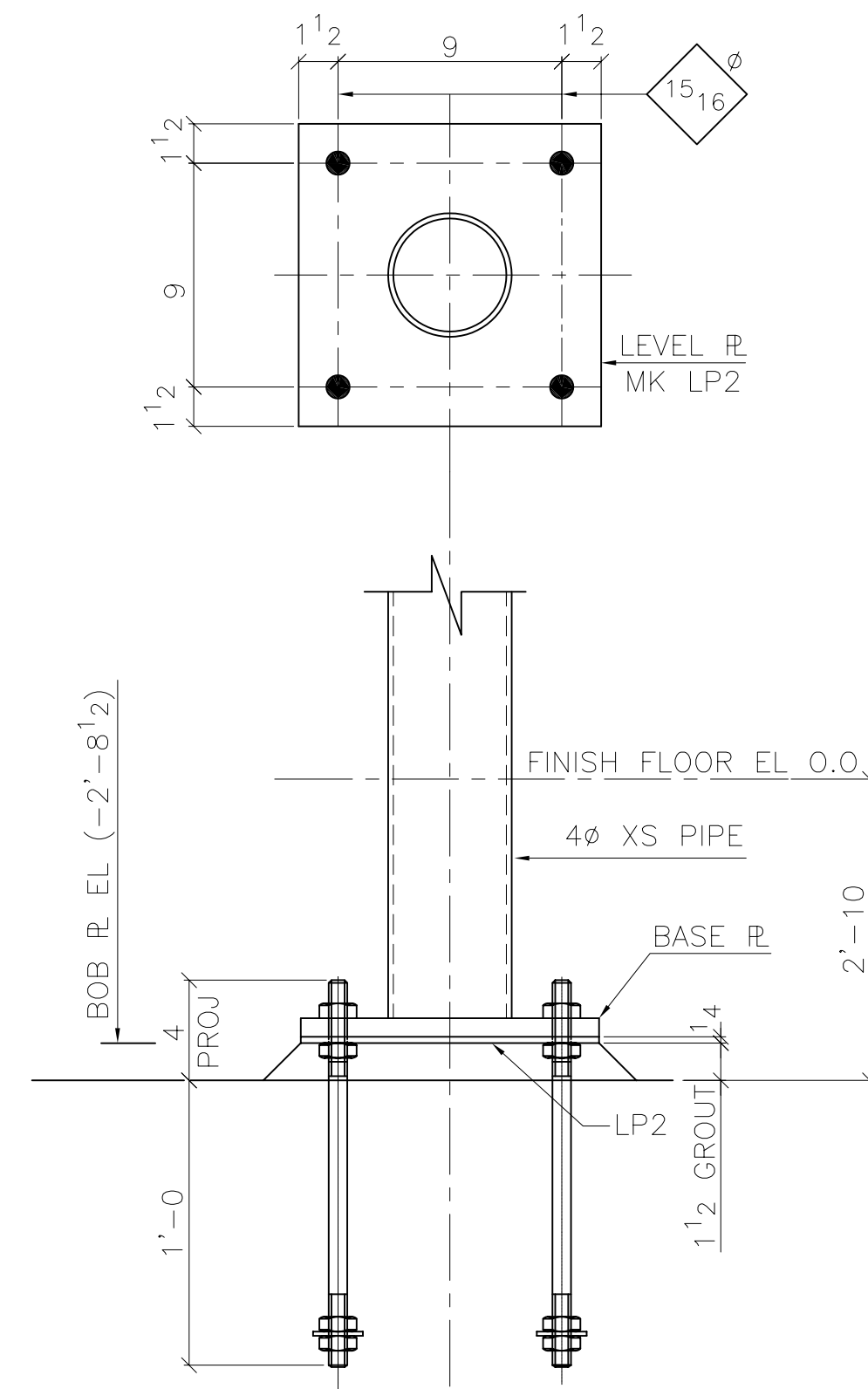
DETAIL-B (ONE LOC)

4-3/4x1'-3 LG ASTM A307 ANCHOR BOLTS
w/2-NUTS & WASHERS PER BOLT
MK AB1
LEVEL R¹4x12x1'-0 MK LP2



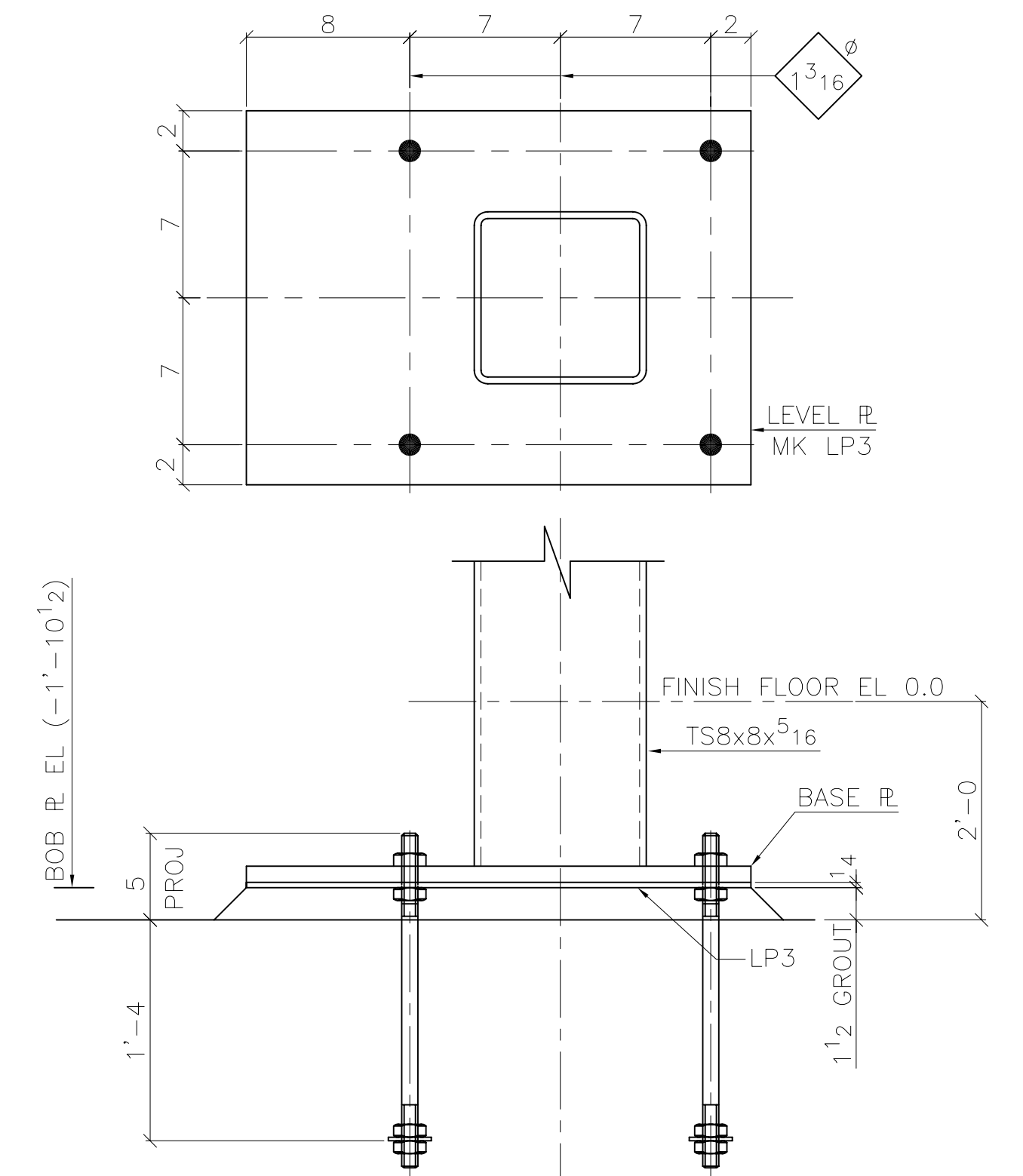
DETAIL-C (5 LOC)

20-3/4x1'-4 LG ASTM A307 ANCHOR BOLTS
w/4-NUTS & WASHERS PER BOLT
MK AB2
LEVEL R¹4x12x1'-0 MK LP2



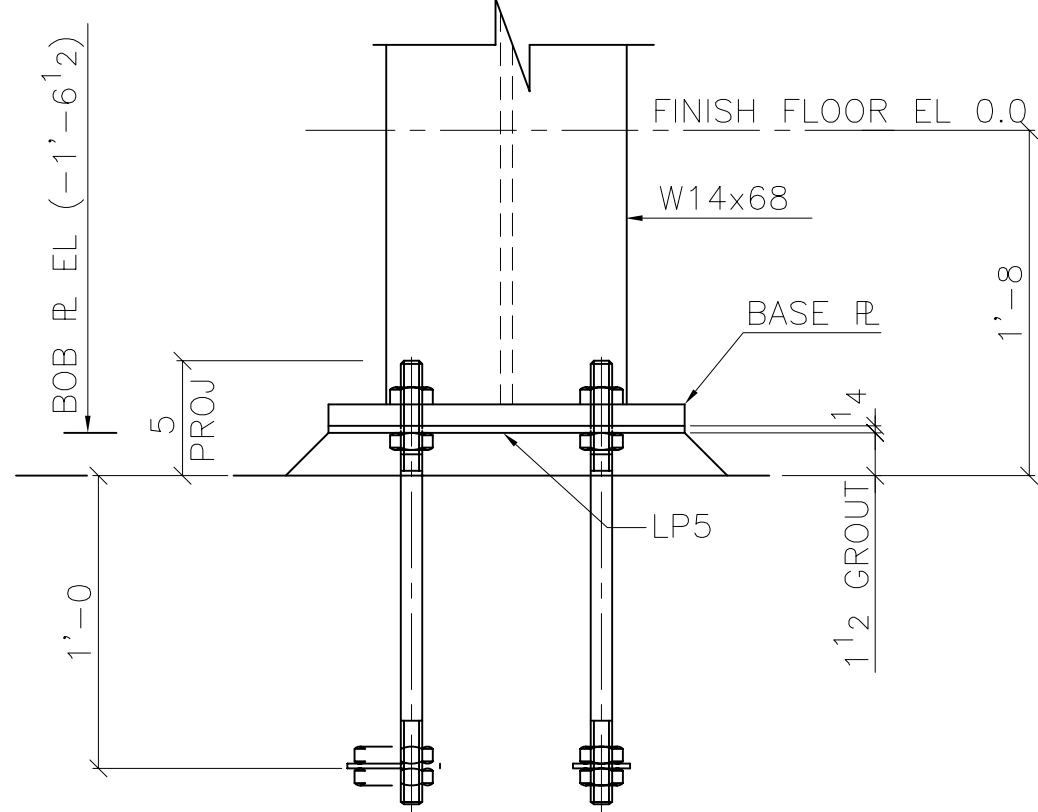
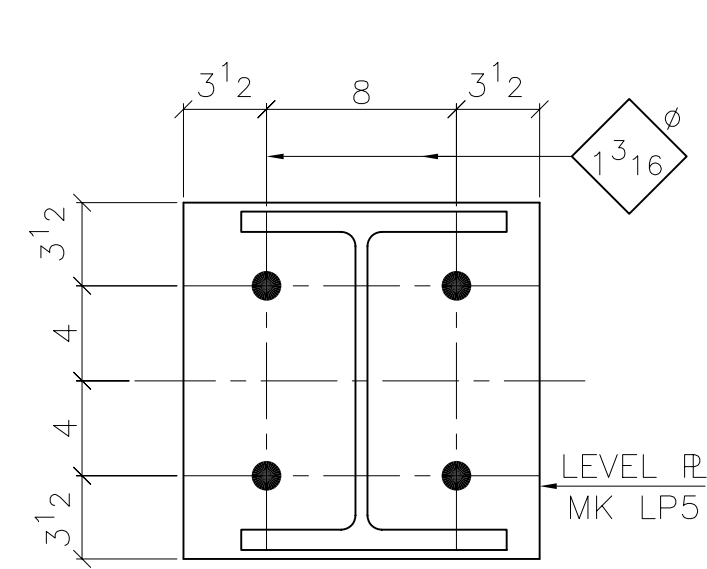
DETAIL-D (4 LOC)

16-3/4x1'-3 LG ASTM A307 ANCHOR BOLTS
w/4-NUTS & WASHERS PER BOLT
MK AB2
LEVEL R¹4x12x1'-0 MK LP2



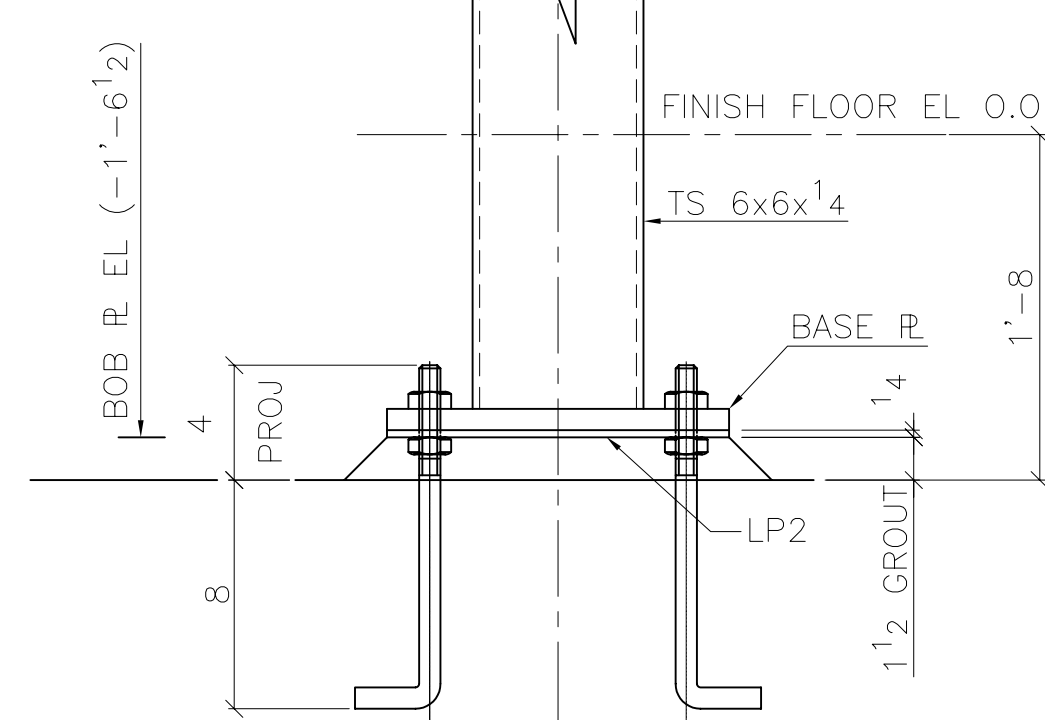
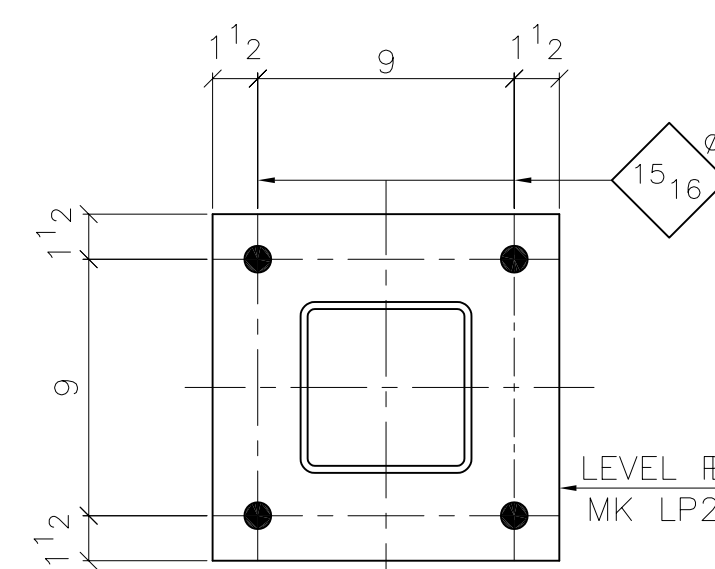
DETAIL-E (ONE LOC)

4-1x1'-11 LG ASTM A325 ANCHOR BOLTS
w/4-NUTS & WASHERS PER BOLT
MK AB3
LEVEL R¹4x18x2'-0 MK LP3



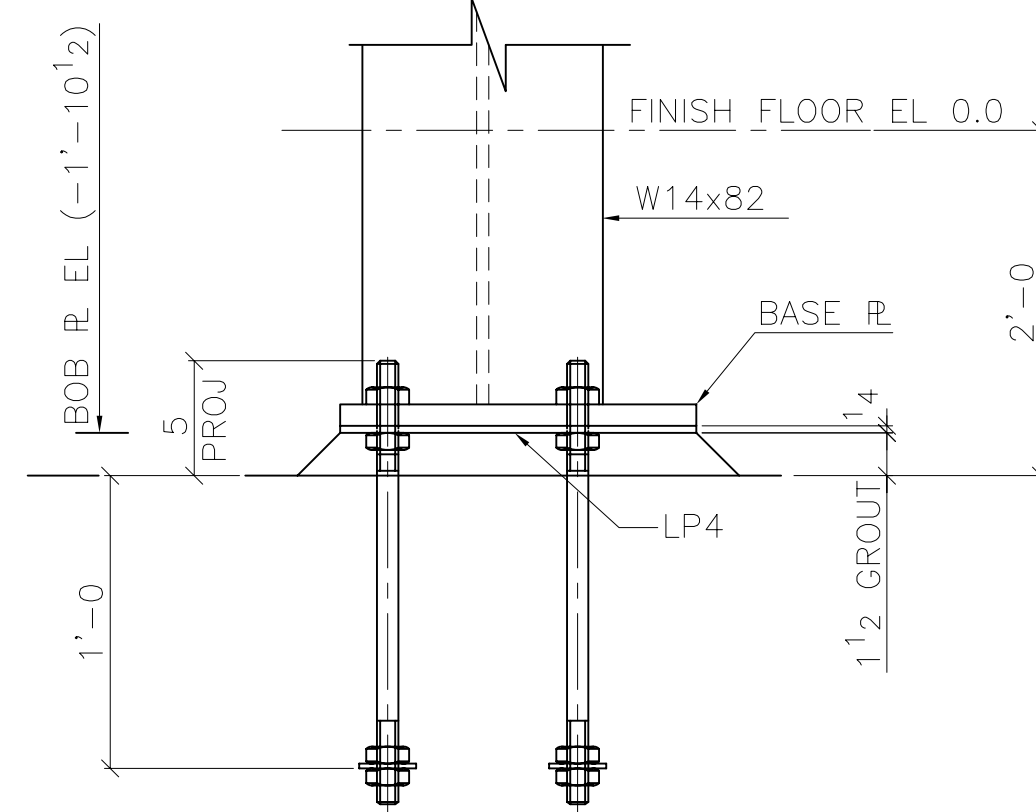
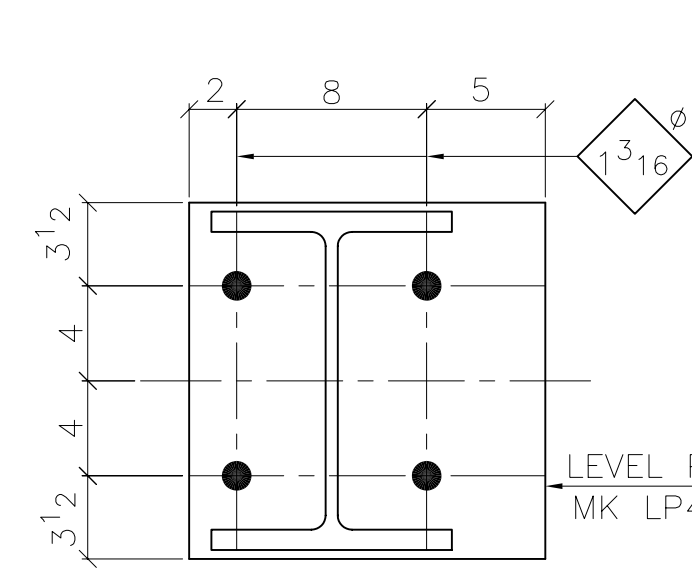
DETAIL-F (ONE LOC)

4-1x1'-7 LG ASTM A325 ANCHOR BOLTS
w/4-NUTS & WASHERS PER BOLT
MK AB4
LEVEL R¹4x15x1'-3 MK LP5



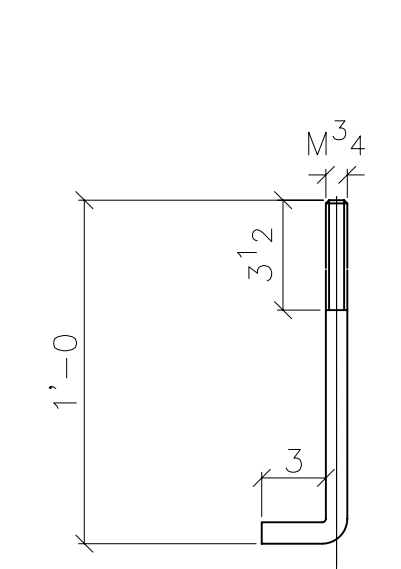
DETAIL-G (ONE LOC)

4-3/4x1'-3 LG ASTM A307 ANCHOR BOLTS
w/2-NUTS & WASHERS PER BOLT
MK AB1
LEVEL R¹4x12x1'-0 MK LP2



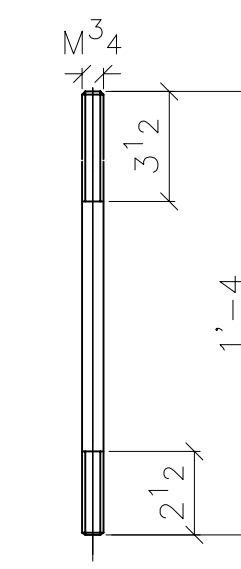
DETAIL-H (ONE LOC)

4-1x1'-7 LG ASTM A325 ANCHOR BOLTS
w/4-NUTS & WASHERS PER BOLT
MK AB4
LEVEL R¹4x15x1'-3 MK LP4



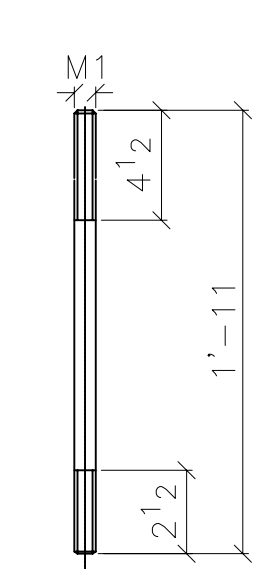
DETAIL OF AB1

QTY 12 NOS



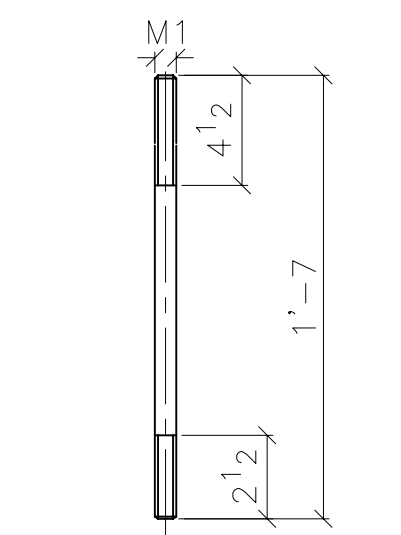
DETAIL OF AB2

QTY 36 NOS



DETAIL OF AB3

QTY 4 NOS



DETAIL OF AB4

QTY 8 NOS

LEVEL R	SIZE	QTY
LP1	R ¹ 4x9x9	ONE
LP2	R ¹ 4x12x1'-0	11
LP3	R ¹ 4x18x2'-0	ONE
LP4	R ¹ 4x15x1'-3	ONE
LP5	R ¹ 4x15x1'-3	ONE

NOTES :-

- 1) REFERENCE DESIGN DRG NO. S200
- 2) FOR LOCATION REF DRG NO. AB1

01-28-02	1	PER APPROVAL	IC
DATE	NO.	REVISION/DESCRIPTION	
THESE DRAWINGS ARE TO THE BEST INTERPRETATION OF THE CONTRACT DRAWINGS, THEREFORE ANY ERRORS ON THE ORIGINAL DRAWINGS ARE NOT THE FAULT OF THE DETAILER OR STEEL FABRICATOR. IT IS THE RESPONSIBILITY OF THE APPROVER(S) TO VERIFY AND CORRECT ANY DIMENSIONS, MATERIALS, AND SECTION VIEWS. IF DIMENSIONS AND MATERIALS ARE NOT CORRECTED IN THE APPROVAL PROCESS, WE ASSUME THEY ARE CORRECT AND ACCURATE AND ARE NOT LIABLE FOR ANY EXPENSE FOR CORRECTIONS THEREAFTER.			
PROJECT: LUTHERAN CHURCH			
LOCATION: CENTER OF COMPASSION LUTHERAN CHURCH			
TITLE: ANCH BOLT DETAIL			
FOR APPROVAL DATE 11-21-01	FOR CONST. AS NOTED	FOR CONST. DATE 01-28-01	SHEET # AB2