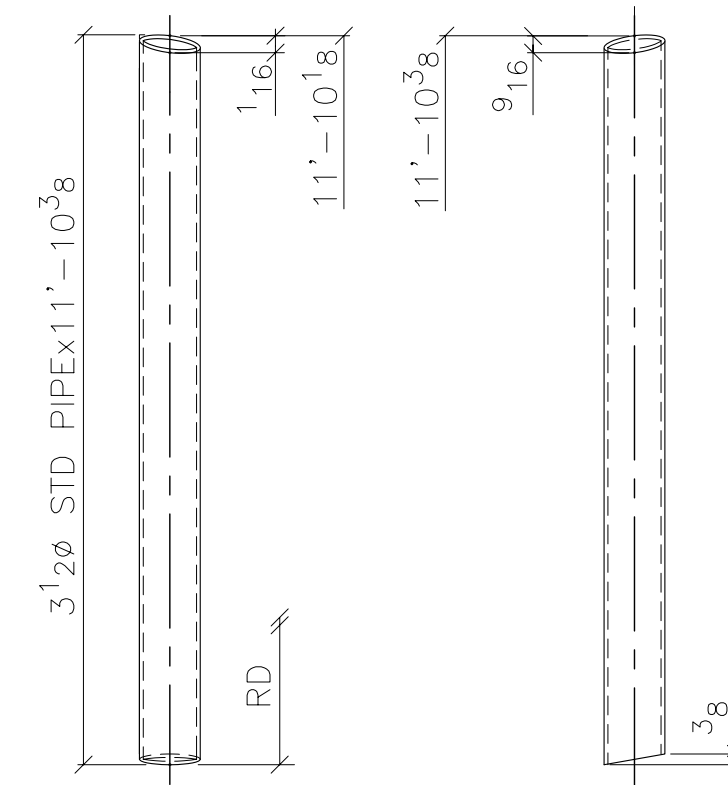
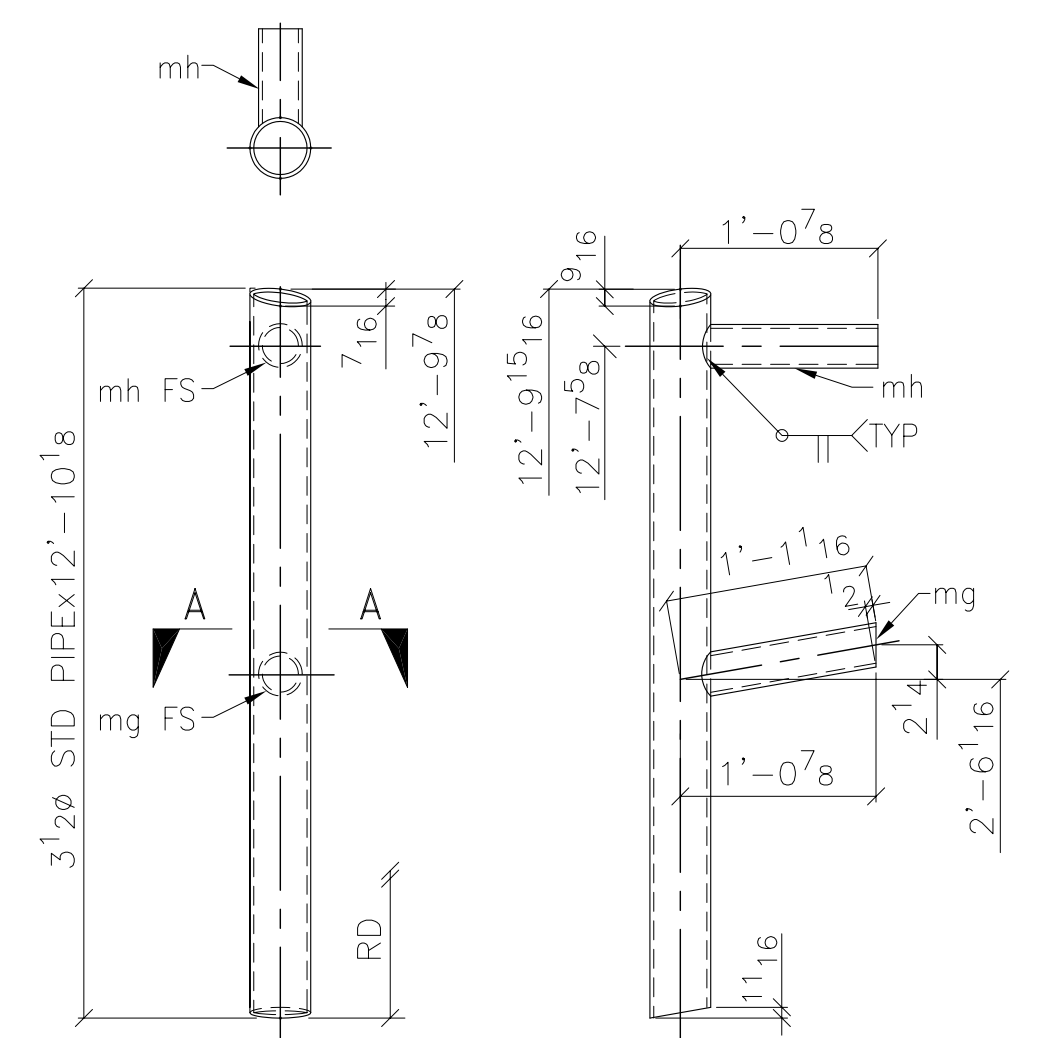


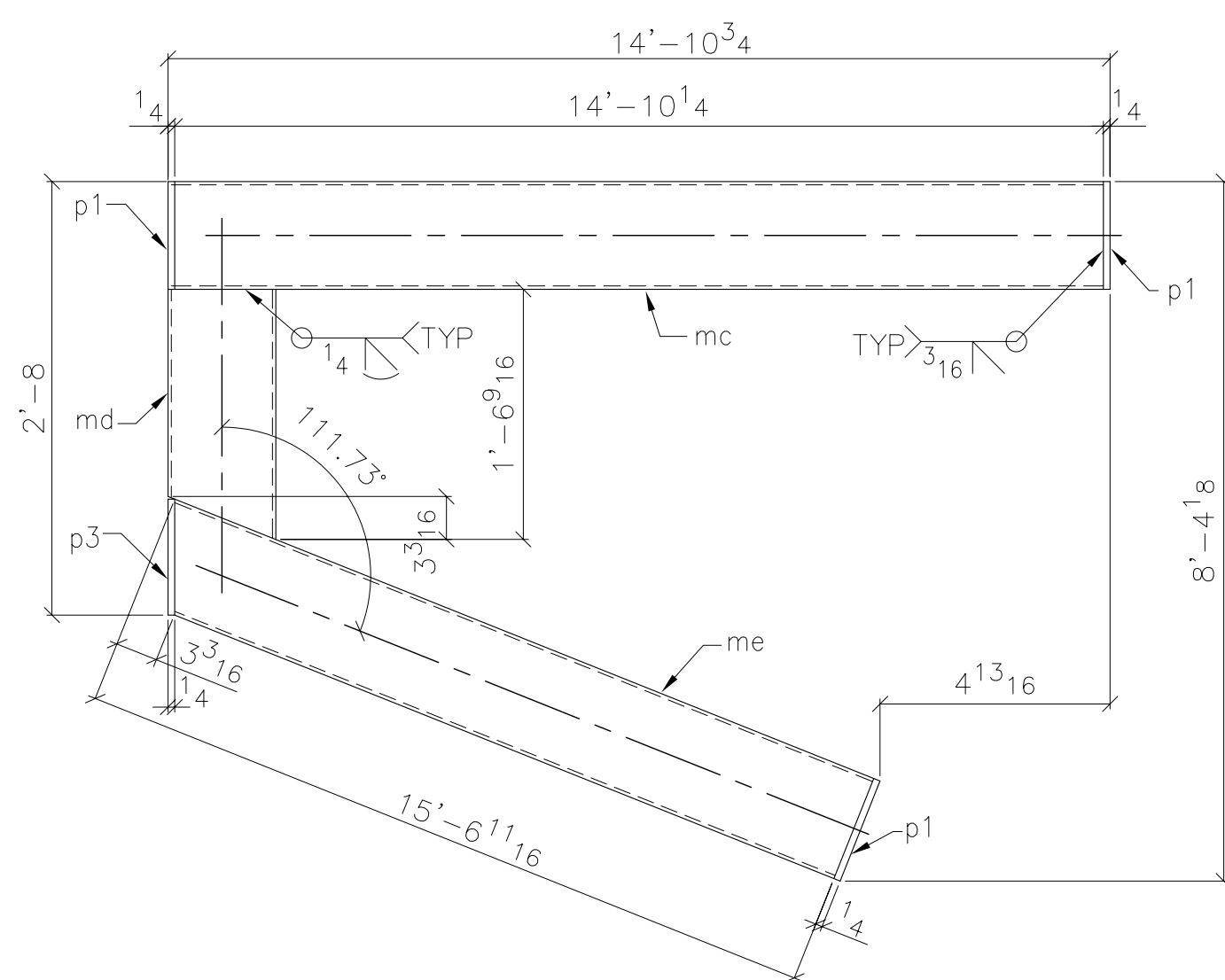
ONE-FRAME-27A



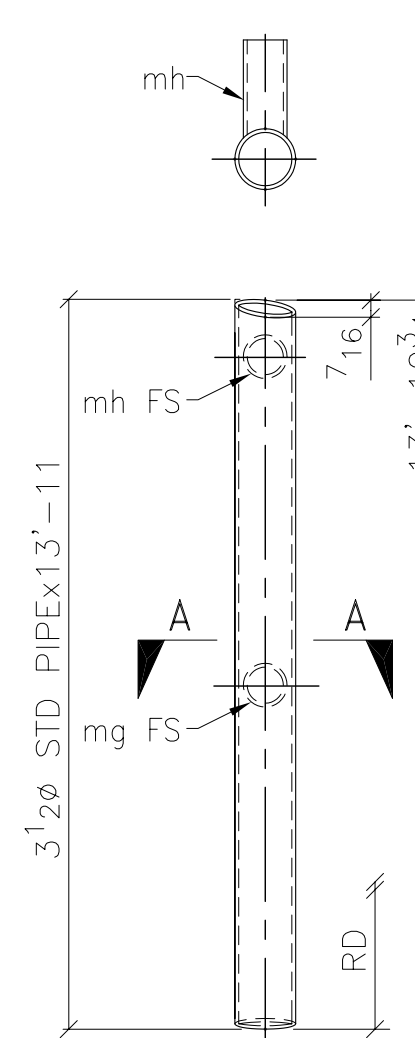
ONE-PIPE-27C



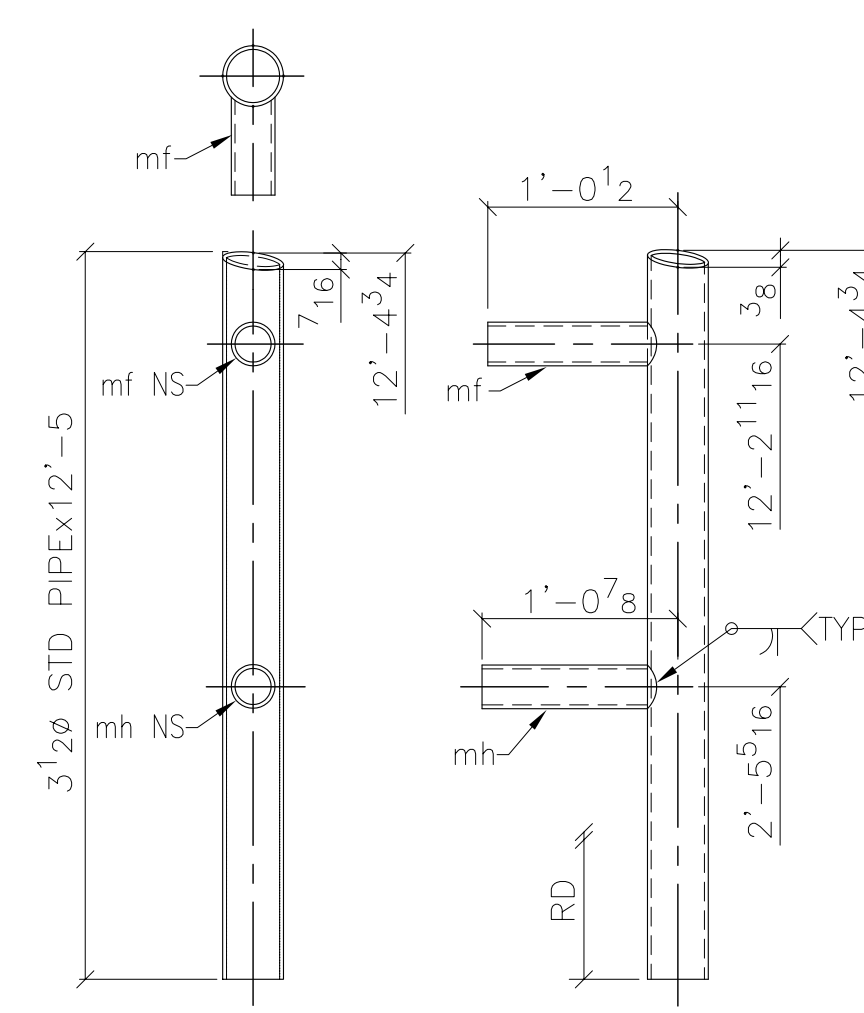
ONE-PIPE-27D



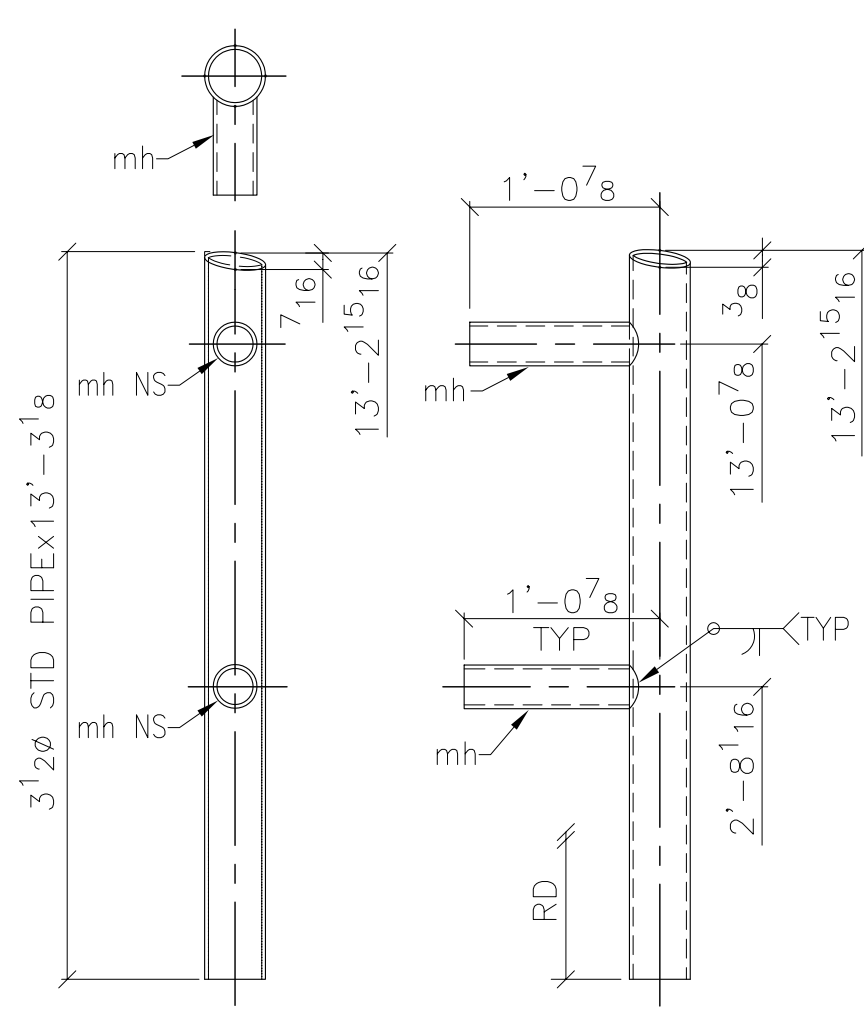
ONE-FRAME-27B



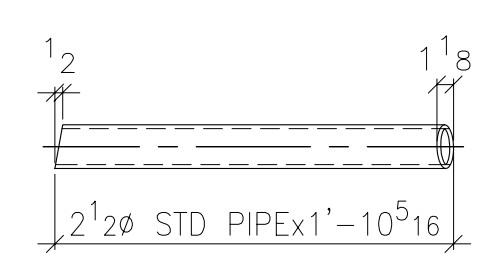
ONE-PIPE-27E



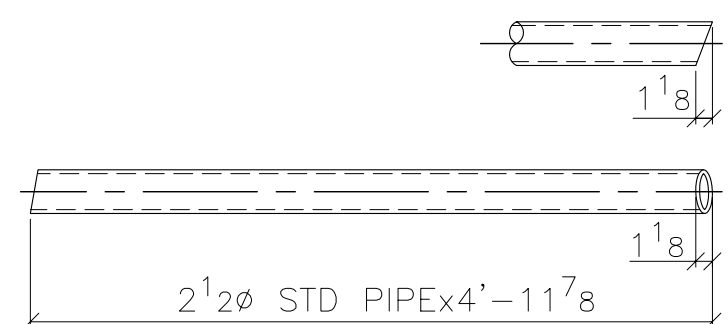
ONE-PIPE-27F



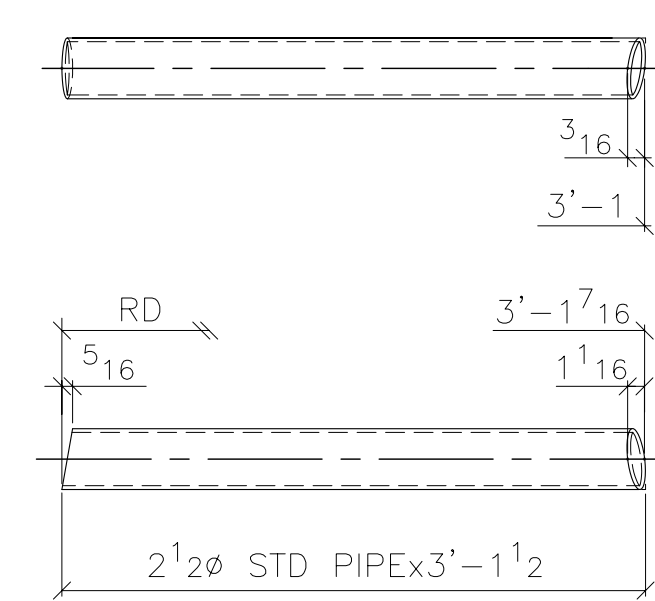
ONE-PIPE-27G



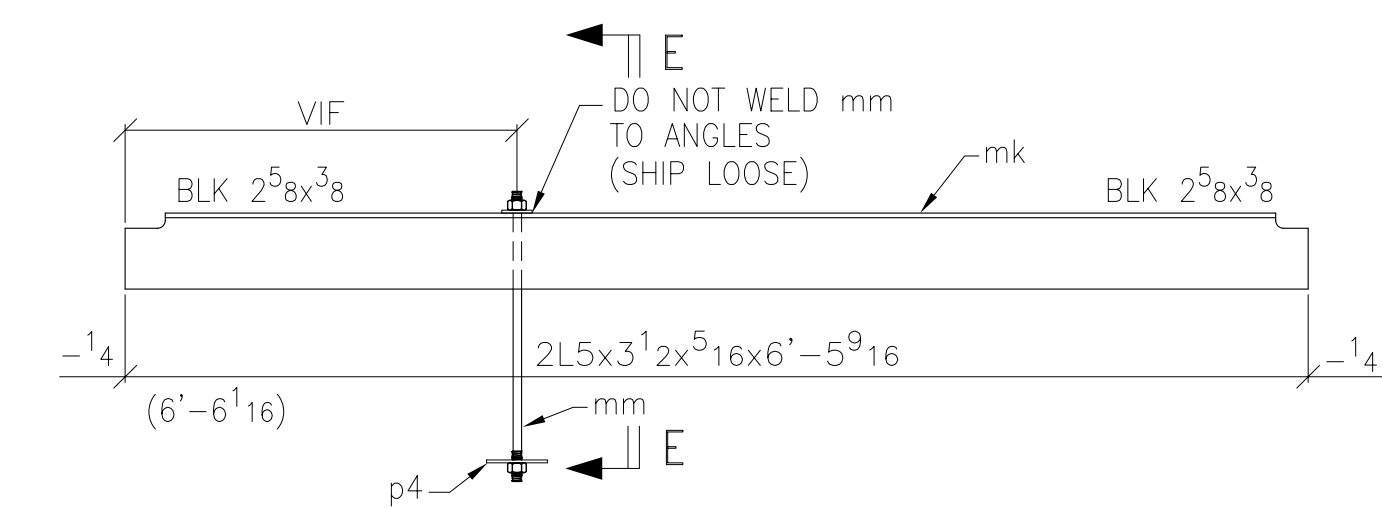
ONE-PIPE-27H



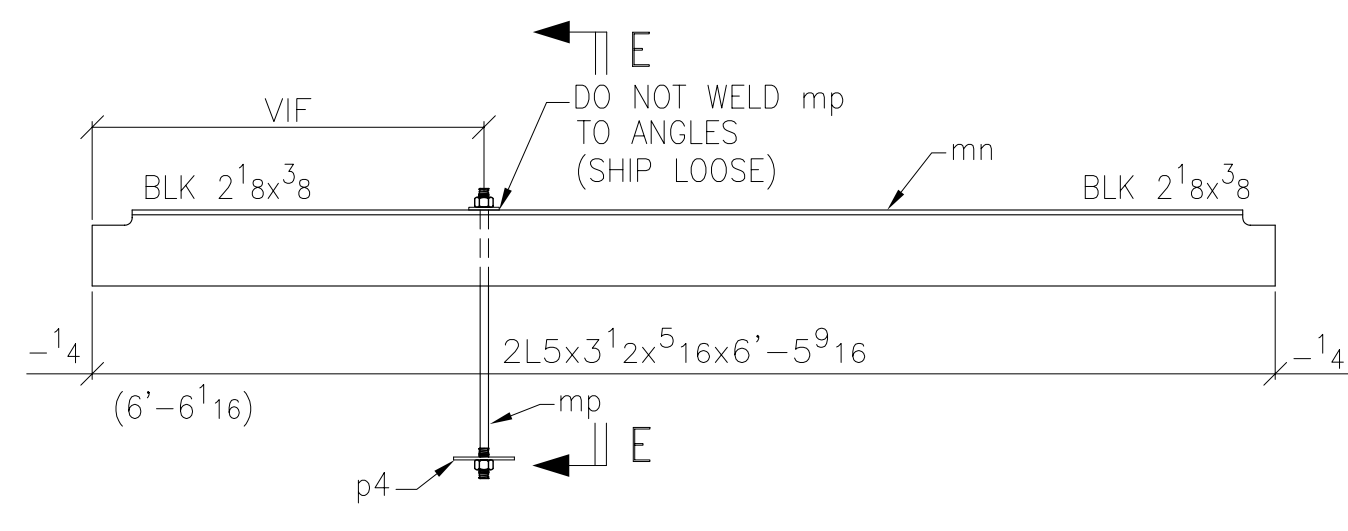
ONE-PIPE-27J



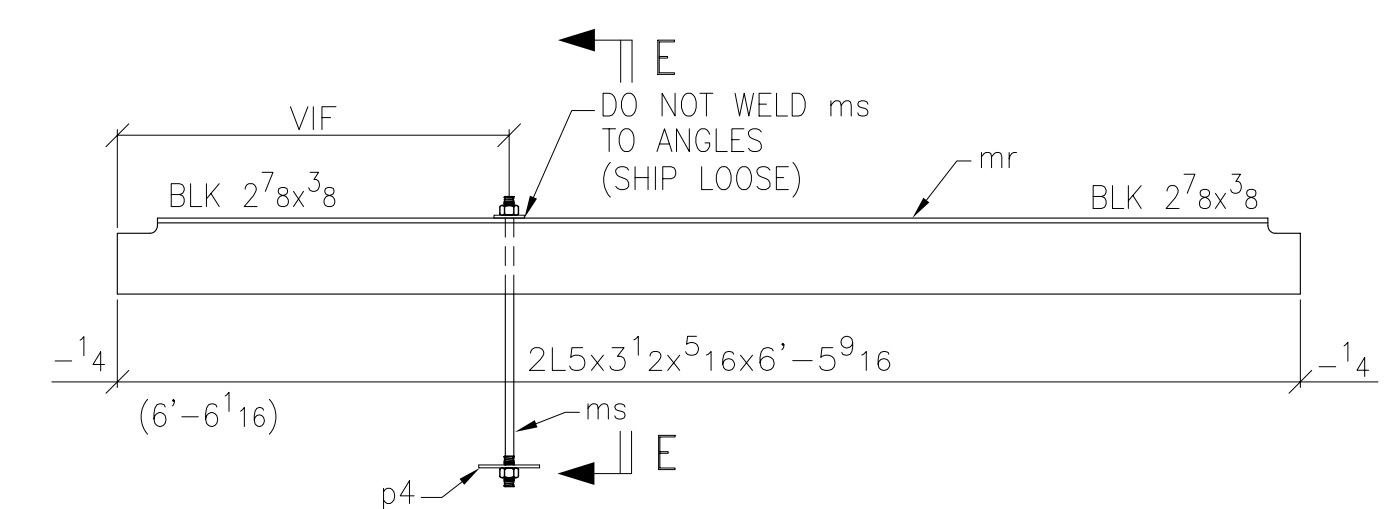
ONE-PIPE-27K



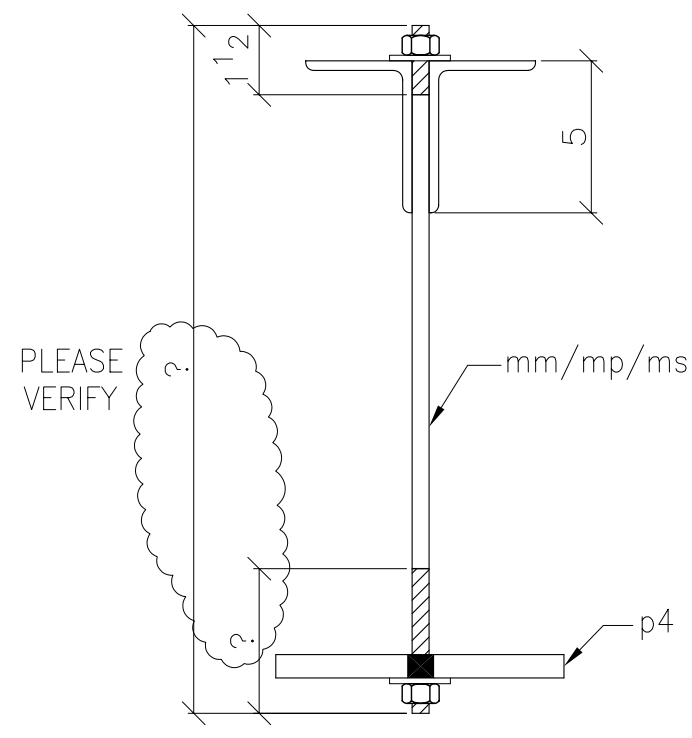
ONE-HANGER-27M



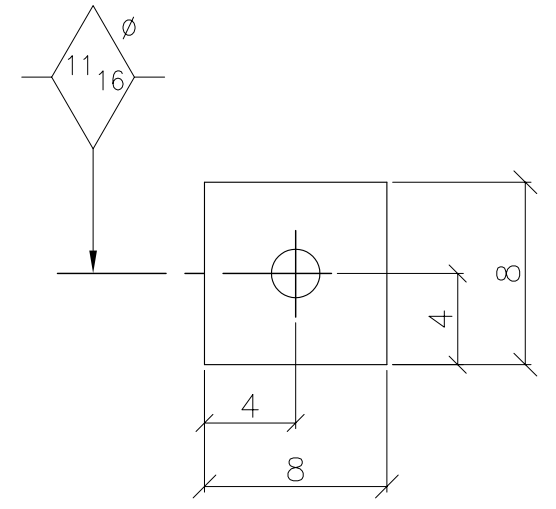
ONE-HANGER-27N



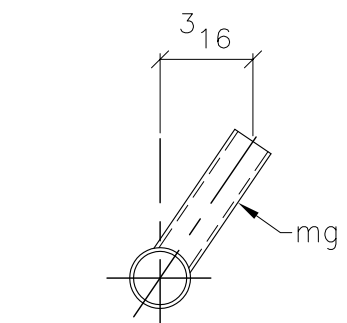
2-HANGER-27P



SECTION E-E



DET OF p4



SECTION A-A

BILL OF MATERIALS							
QTY	SHIP MRK	PC MRK	MATERIALS	LENGTH		REV.	REMARKS
				FT	IN		
ONE	27A		FRAME				
ONE		ma	TS8x2x <sup>1</sup> / <sub>4</sub>	16	5 <sup>5</sup> / <sub>16</sub>		
ONE		mb	TS8x2x <sup>1</sup> / <sub>4</sub>	15	0 <sup>5</sup> / <sub>16</sub>		
2		p1	PL <sup>1</sup> / <sub>4</sub> x2	0	8		
ONE		p2	PL <sup>1</sup> / <sub>4</sub> x2	1	11		
ONE	27B		FRAME				
ONE		mc	TS8x2x <sup>1</sup> / <sub>4</sub>	14	10 <sup>1</sup> / <sub>4</sub>		
ONE		md	TS8x2x <sup>1</sup> / <sub>4</sub>	1	6 <sup>9</sup> / <sub>16</sub>		
ONE		me	TS8x2x <sup>1</sup> / <sub>4</sub>	15	6 <sup>11</sup> / <sub>16</sub>		
3		p1	PL <sup>1</sup> / <sub>4</sub> x2	0	8		
ONE		p3	PL <sup>1</sup> / <sub>4</sub> x2	0	8 <sup>5</sup> / <sub>8</sub>		
ONE	27C		3 1/2 STD PIPE	11	10 <sup>3</sup> / <sub>8</sub>		
ONE	27D		3 1/2 STD PIPE	12	10 <sup>1</sup> / <sub>8</sub>		
ONE		mg	2 1/2 STD PIPE	1	1 <sup>1</sup> / <sub>16</sub>		
ONE		mh	2 1/2 STD PIPE	1	0 <sup>7</sup> / <sub>8</sub>		
ONE	27E		3 1/2 STD PIPE	13	11		
ONE		mg	2 1/2 STD PIPE	1	1 <sup>1</sup> / <sub>16</sub>		
ONE		mh	2 1/2 STD PIPE	1	0 <sup>7</sup> / <sub>8</sub>		
ONE	27F		3 1/2 STD PIPE	12	5		
ONE		mf	2 1/2 STD PIPE	1	0 <sup>1</sup> / <sub>2</sub>		
ONE		mh	2 1/2 STD PIPE	1	0 <sup>7</sup> / <sub>8</sub>		
ONE	27G		3 1/2 STD PIPE	13	3 <sup>1</sup> / <sub>8</sub>		
2		mh	2 1/2 STD PIPE	1	0 <sup>7</sup> / <sub>8</sub>		
ONE	27H		2 1/2 STD PIPE	1	10 <sup>5</sup> / <sub>16</sub>		
ONE	27J		2 1/2 STD PIPE	4	11 <sup>7</sup> / <sub>8</sub>		
ONE	27K		2 1/2 STD PIPE	3	1 <sup>1</sup> / <sub>2</sub>		
ONE	27M		HANGER ASSEMBLY				
ONE		mk	2L5x3 <sup>1</sup> / <sub>2</sub> x5 <sup>1</sup> / <sub>16</sub>	6	5 <sup>9</sup> / <sub>16</sub>		
ONE		mm	5/8 ROD w/2-N & W	?	?		PLEASE VERIFY
ONE		p4	PL <sup>3</sup> / <sub>8</sub> x8	0	8		
ONE	27N		HANGER ASSEMBLY				
ONE		mn	2L5x3 <sup>1</sup> / <sub>2</sub> x5 <sup>1</sup> / <sub>16</sub>	6	5 <sup>9</sup> / <sub>16</sub>		
ONE		mp	5/8 ROD w/2-N & W	?	?		PLEASE VERIFY
ONE		p4	PL <sup>3</sup> / <sub>8</sub> x8	0	8		
2	27P		HANGER ASSEMBLY				
2		mr	2L5x3 <sup>1</sup> / <sub>2</sub> x5 <sup>1</sup> / <sub>16</sub>	6	5 <sup>9</sup> / <sub>16</sub>		
2		ms	5/8 ROD w/2-N & W	?	?		PLEASE VERIFY
2		p4	PL <sup>3</sup> / <sub>8</sub> x8	0	8		
11	27R		L3x3x <sup>3</sup> / <sub>16</sub>	20	0		PLAIN MATERIAL
ONE	27S		L3x3x <sup>1</sup> / <sub>4</sub>	20	0		PLAIN MATERIAL

DATE	NO.	PER APPROVAL	IC
04-15-02	1	PER APPROVAL	IC
		REVISION/DESCRIPTION	

SHOP NOTES:  
 1 ALL PIPE SHALL BE ASTM A53,TYPE E, GR B, Fy=46 KSI  
 2 TS SHALL BE ASTM A500, GR B, Fy=46 KSI  
 3 ALL STEEL SHALL BE ASTM A36  
 4 WELD ROD E70XX.

CLEAN: SSPC-SP 6 PRIMER: STD SHOP HOLES: 13/16 UNO

THESE DRAWINGS ARE TO THE BEST INTERPRETATION OF THE CONTRACT DRAWINGS, THEREFORE ANY ERRORS ON THE ORIGINAL DRAWINGS ARE NOT THE FAULT OF THE DETAILER OR STEEL FABRICATOR. IT IS THE RESPONSIBILITY OF THE APPROVER(S) TO VERIFY AND CORRECT ANY DIMENSIONS, MATERIALS, AND SECTION VIEWS. IF DIMENSIONS AND MATERIALS ARE NOT CORRECTED IN THE APPROVAL PROCESS, WE ASSUME THEY ARE CORRECT AND ACCURATE AND ARE NOT LIABLE FOR ANY EXPENSE FOR CORRECTIONS THEREAFTER.

PROJECT:	LUTHERAN CHURCH
LOCATION:	CENTER OF COMPASSION LUTHERAN CHURCH
TITLE:	MISC

FOR APPROVAL DATE 01/16/02	FOR CONST. AS NOTED	FOR CONST. DATE 04-15-02	SHEET # 27
----------------------------	---------------------	--------------------------	------------