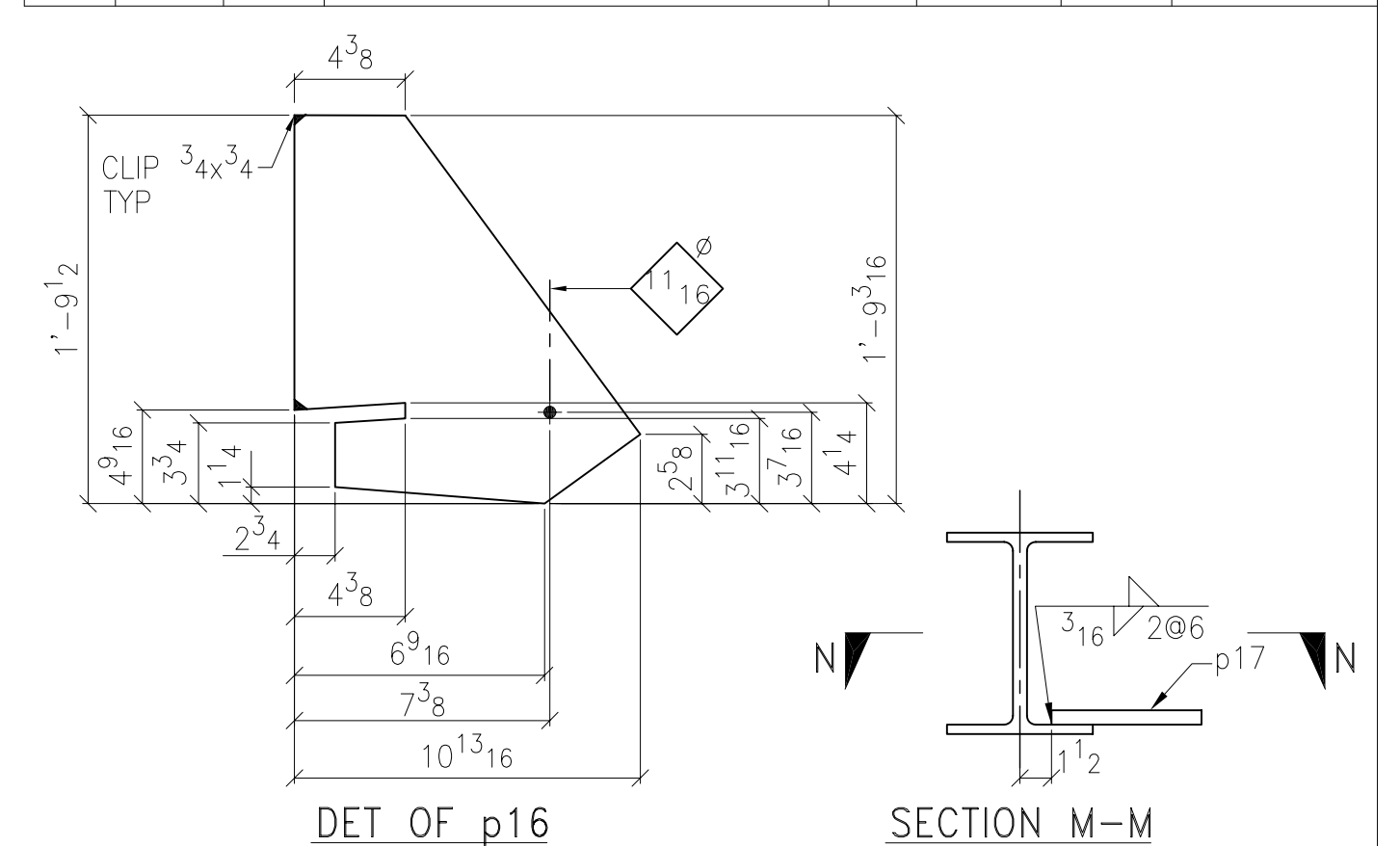


BILL OF MATERIALS							
QTY	SHIP MRK	PC MRK	MATERIALS	LENGTH		REV	REMARKS
				FT	IN		
ONE	21A		W18X50	67	7 13/16		
9		p1	PL 3/8x3 7/8	1	4 7/8		
ONE		p2	PL 3/8x3 7/8	1	4 7/8		
5		p3	PL 3/8x3 7/8	1	4 7/8		
3		p4	PL 3/8x3 7/8	1	4 7/8		
9		p5	PL 3/8x3 9/16	1	4 7/8		
9		p6	PL 3/8x3 9/16	1	4 7/8		
ONE		p7	PL 3/8x5 3/16	1	3		
5		b1	3/4 A325-N BOLTS	0	2		
ONE		p17	PL 3/8x12	61	10 1/2		CUT TO LENGTH PER SECTION N-N
ONE	21B		W18X50	71	4 3/4		
9		p5	PL 3/8x3 9/16	1	4 7/8		
4		p6	PL 3/8x3 9/16	1	4 7/8		
ONE		p7	PL 3/8x5 3/16	1	3		
5		b1	3/4 A325-N BOLTS	0	2		
5		p8	PL 3/8x7 1/16	1	4 7/8		
ONE		p9	PL 3/8x13 1/2	1	8 7/8		
ONE		p10	PL 3/8x12 9/16	1	8 5/8		
ONE		p11	PL 3/8x12 1/16	1	8 3/8		
ONE		p12	PL 3/8x12 3/16	1	9 5/16		
ONE		p13	PL 3/8x11 11/16	1	9 11/16		
ONE		p14	PL 3/8x11 7/16	1	9 7/16		
ONE		p15	PL 3/8x11	1	9 1/8		
ONE		p16	PL 3/8x10 13/16	1	9 1/2		



FIELD BOLTS					
QTY	DESCRIPTION	LENGTH		REV.	REMARKS
		FT	IN		
10	3/4 A325-N BOLTS	0	2		

04-08-02	1	PER APPROVAL	IC
DATE	NO.	REVISION/DESCRIPTION	
SHOP NOTES:			
1 ALL WIDE FLANGE SHAPES W12 & LARGER SHALL BE ASTM A 572 GR 50			
2 ALL STEEL SHALL BE ASTM A 36 UNO			
3 WELDING ELECTRODES E70XX			
CLEAN: SSPC-SP 6	PRIMER: STD SHOP	HOLE: 1/16 UNO	
THESE DRAWINGS ARE TO THE BEST INTERPRETATION OF THE CONTRACT DRAWINGS, THEREFORE ANY ERRORS ON THE ORIGINAL DRAWINGS ARE NOT THE FAULT OF THE DETAILER OR STEEL FABRICATOR. IT IS THE RESPONSIBILITY OF THE APPROVER(S) TO VERIFY AND CORRECT ANY DIMENSIONS, MATERIALS, AND SECTION VIEWS. IF DIMENSIONS AND MATERIALS ARE NOT CORRECTED IN THE APPROVAL PROCESS, WE ASSUME THEY ARE CORRECT AND ACCURATE AND ARE NOT LIABLE FOR ANY EXPENSE FOR CORRECTIONS THEREAFTER.			
PROJECT: LUTHERAN CHURCH		LOCATION: CENTER OF COMPASSION LUTHERAN CHURCH	
TITLE: BEAMS		SHEET # 21	
FOR APPROVAL DATE: 01/16/02	FOR CONST. AS NOTED	FOR CONST. DATE 04-08-02	